



Installation instructions, accessories

Volvo Car Corporation Gothenburg, Sweden

Instruction No	Version	Part. No.
31439438	1.0	31439150

Parking assistance, camera, rear



Installation instructions, accessories

Volvo Car Corporation Gothenburg, Sweden

Materials

Designation	Part number
Electrical tape	

Equipment

VIDA

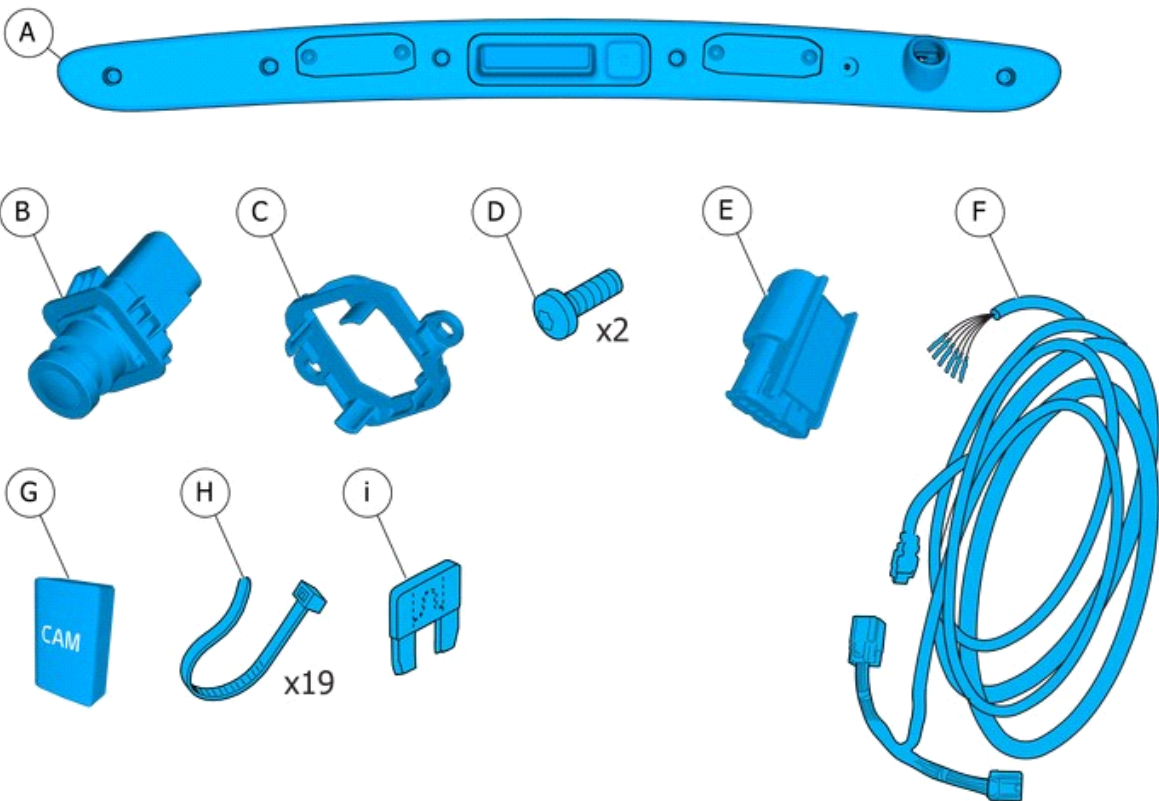
IMG-242205

IMG-345497

IMG-239664

Nm
lbf.ft

IMG-239667



IMG-401163



Installation instructions, accessories

Volvo Car Corporation Gothenburg, Sweden

Information

1

Read through all of the instructions before starting installation.

Notifications and warning texts are for your safety and to minimise the risk of something breaking during installation.

Ensure that all tools stated in the instructions are available before starting installation.

Certain steps in the instructions are only presented in the form of images. Explanatory text is also given for more complicated steps.

In the event of any problems with the instructions or the accessory, contact your local Volvo dealer.

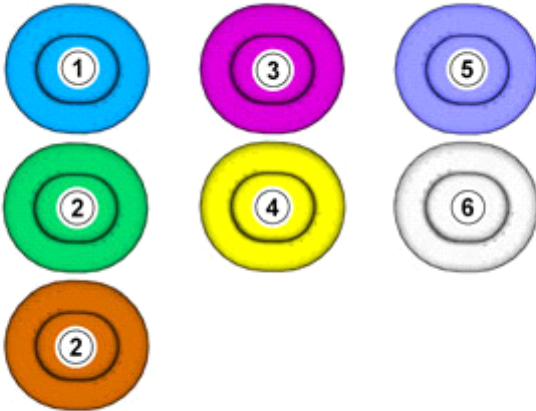
Further information

2

There may be parts in the accessories kit that are not needed for this installation.

Color symbols

3



Used for focused component, the component with which you will do something.

Used as extra colors when you need to show or differentiate additional parts.

Used for attachments that are to be removed/installed. May be screws, clips, connectors, etc.

Used when the component is not fully removed from the vehicle but only hung to the side.

Used for standard tools and special tools.

Used as background color for vehicle components.

IMG-363036



Installation instructions, accessories

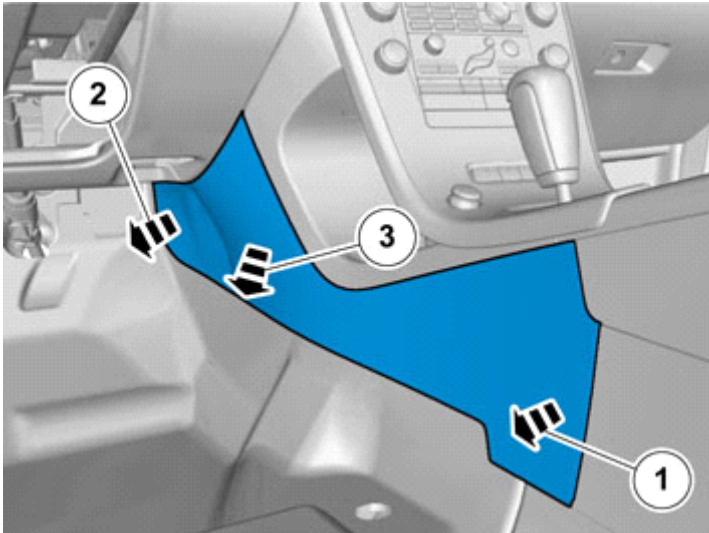
Volvo Car Corporation Gothenburg, Sweden

4



IMG-332193

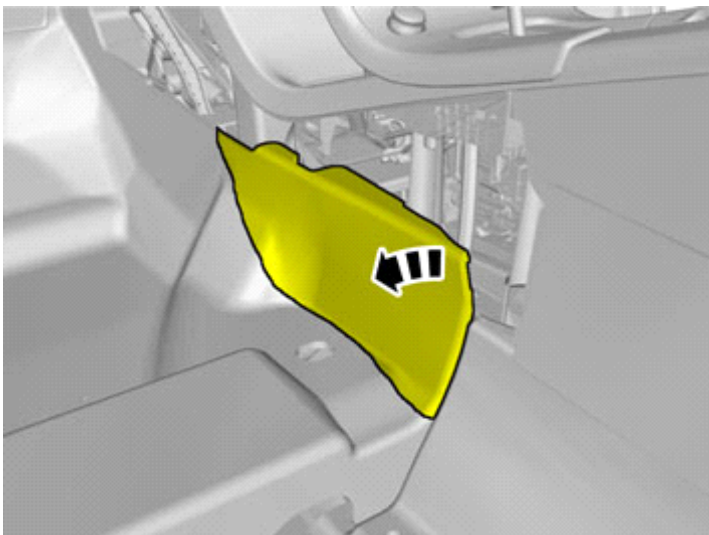
5



IMG-292804

Remove the panel.

6



IMG-292806

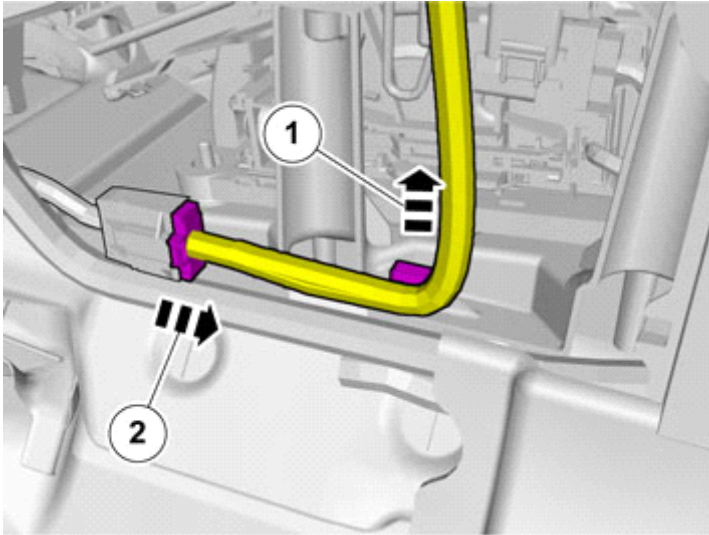
Fold the carpet to the side.



Installation instructions, accessories

Volvo Car Corporation Gothenburg, Sweden

7

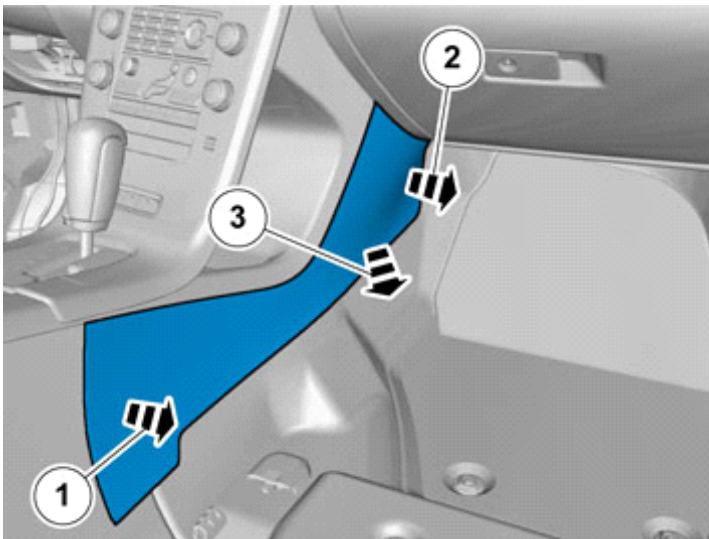


IMG-292823

Unhook the cable harness clips.

Disconnect the connector.

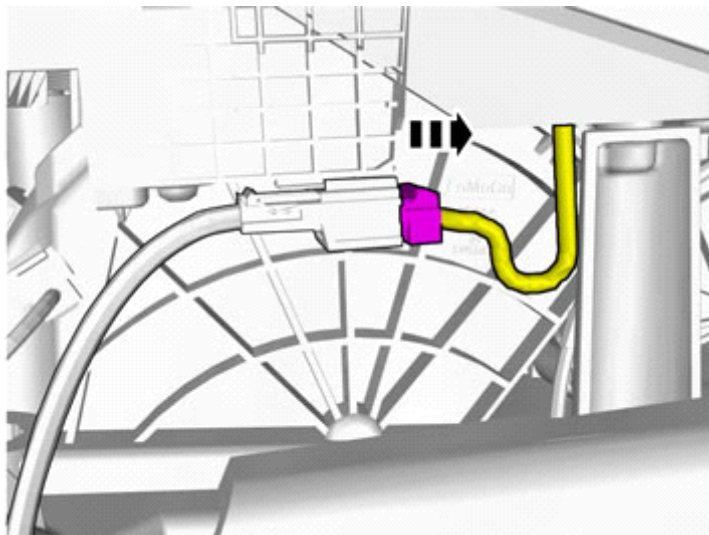
8



IMG-292826

Remove the panel.

9



IMG-292827

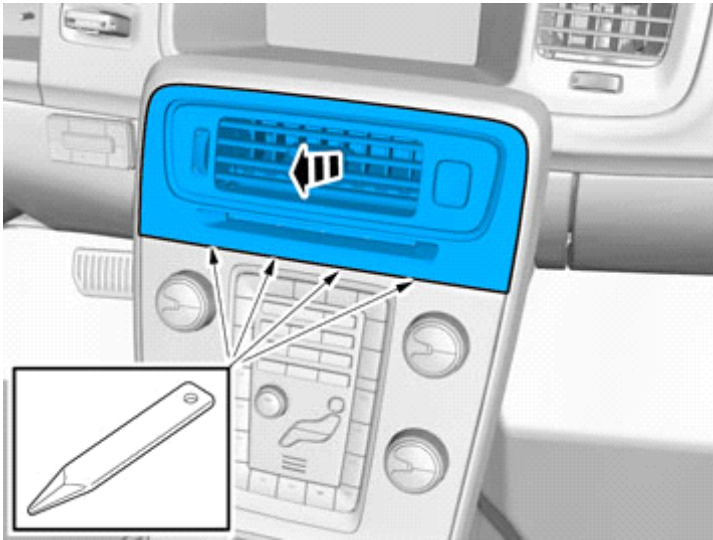
Disconnect the connector, if applicable.



Installation instructions, accessories

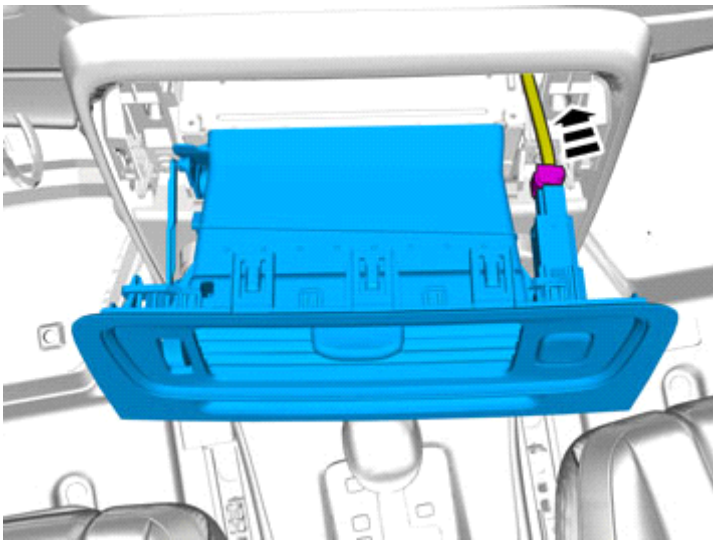
Volvo Car Corporation Gothenburg, Sweden

10



IMG-345113

11



IMG-340984

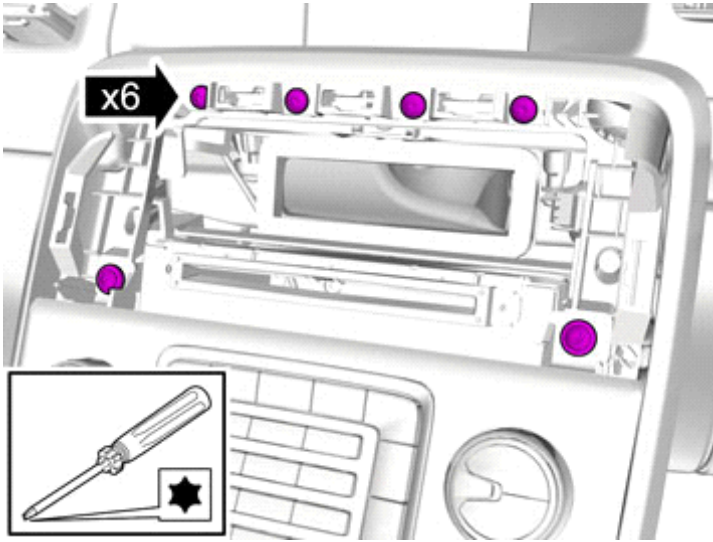
Disconnect the connector.



Installation instructions, accessories

Volvo Car Corporation Gothenburg, Sweden

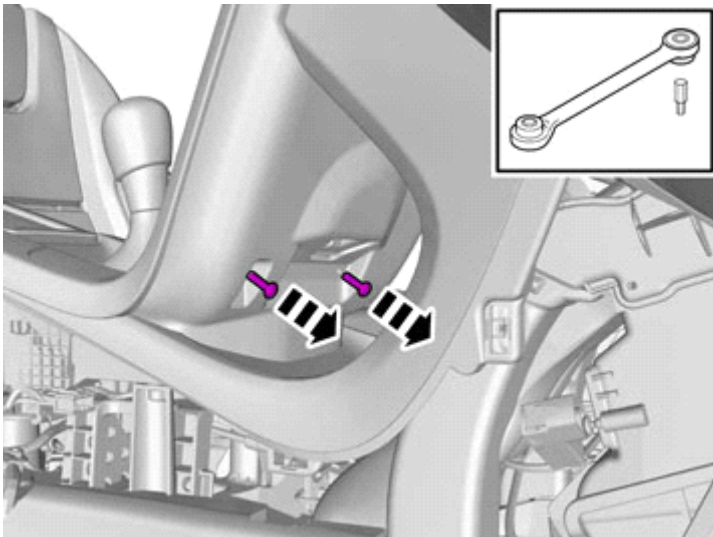
12



IMG-340985

Remove the screws.

13



IMG-355818

Remove the screws.

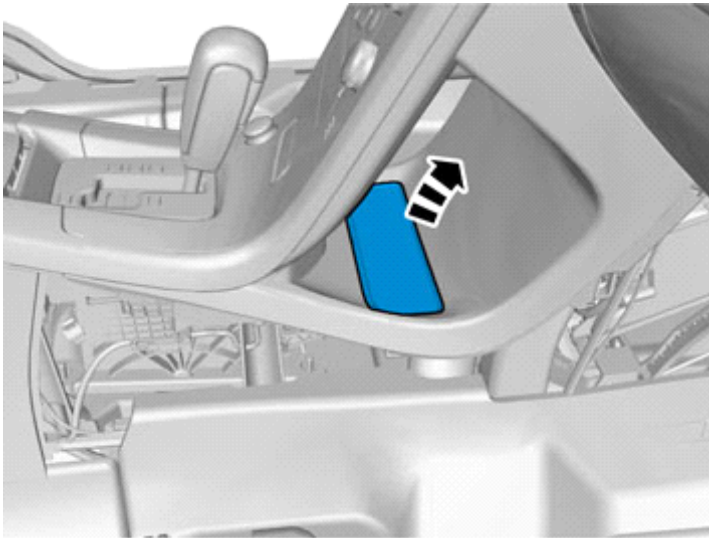
Cars with automatic transmissions



Installation instructions, accessories

Volvo Car Corporation Gothenburg, Sweden

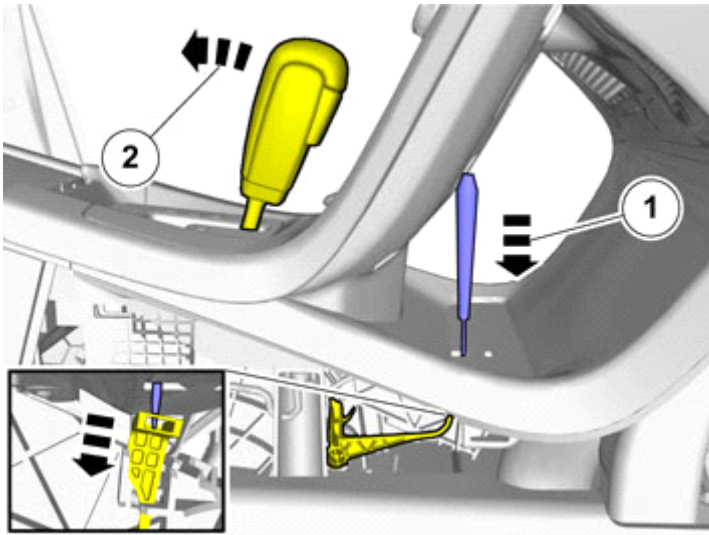
14



IMG-293006

Remove the marked part.

15



IMG-293007

Release the shift-lock function.

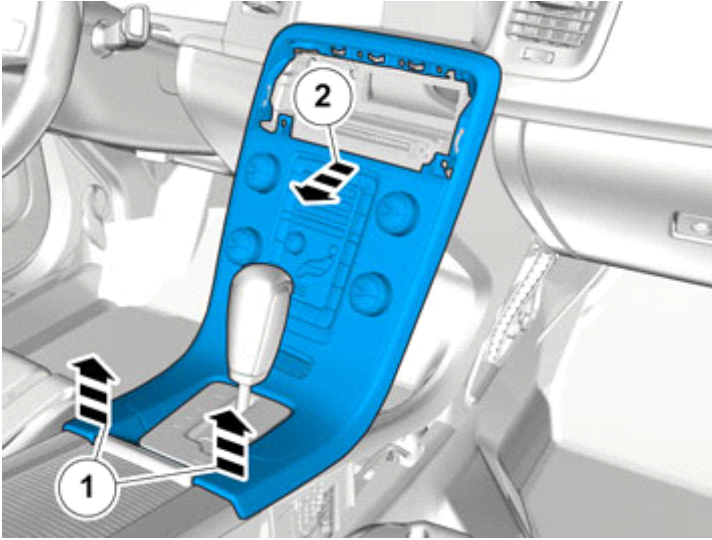
All vehicles



Installation instructions, accessories

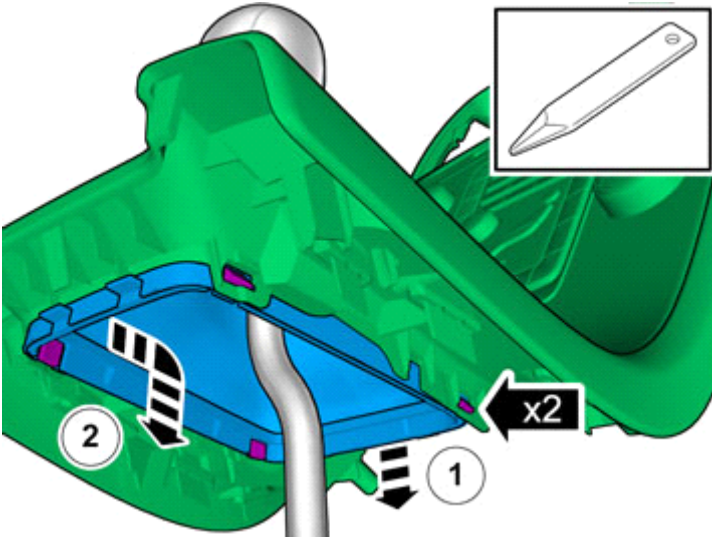
Volvo Car Corporation Gothenburg, Sweden

16



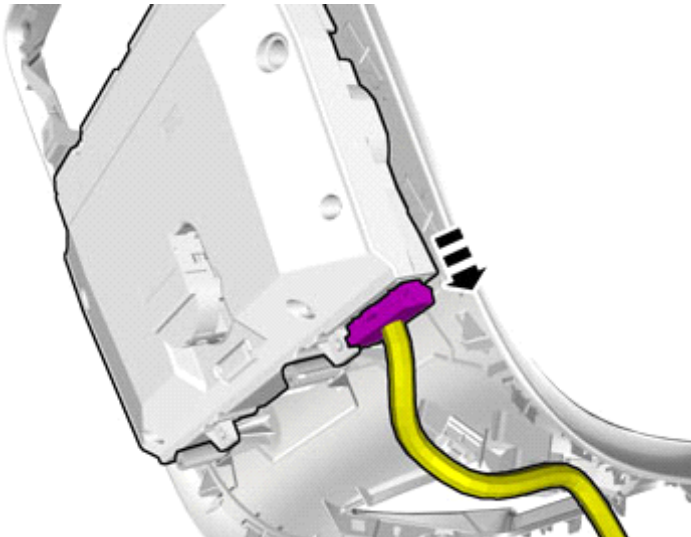
IMG-340981

17



IMG-345292

18



IMG-340604

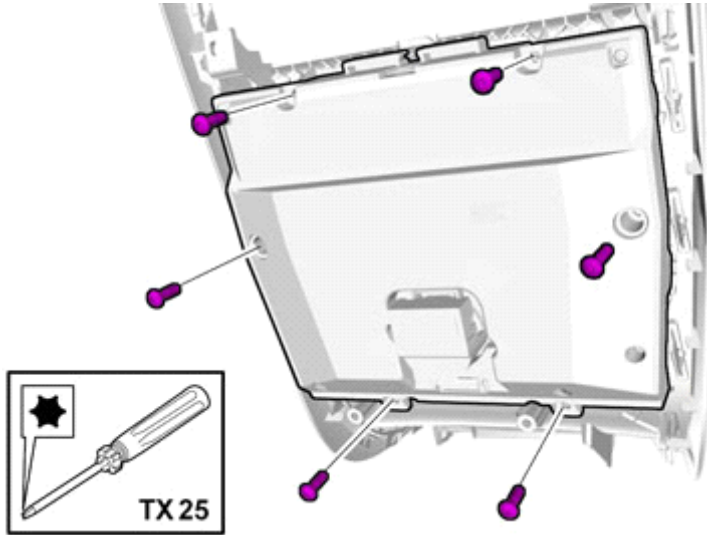
Disconnect the connector.



Installation instructions, accessories

Volvo Car Corporation Gothenburg, Sweden

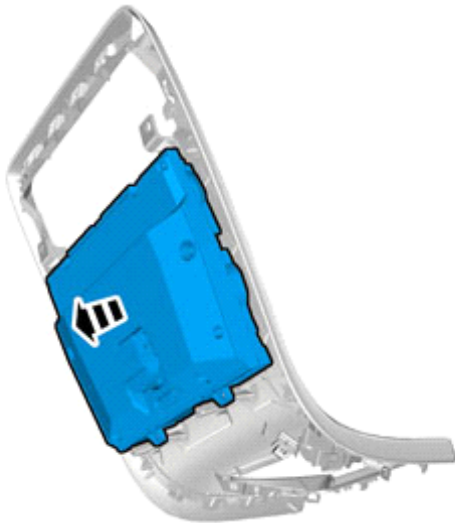
19



IMG-340605

Remove the screws.

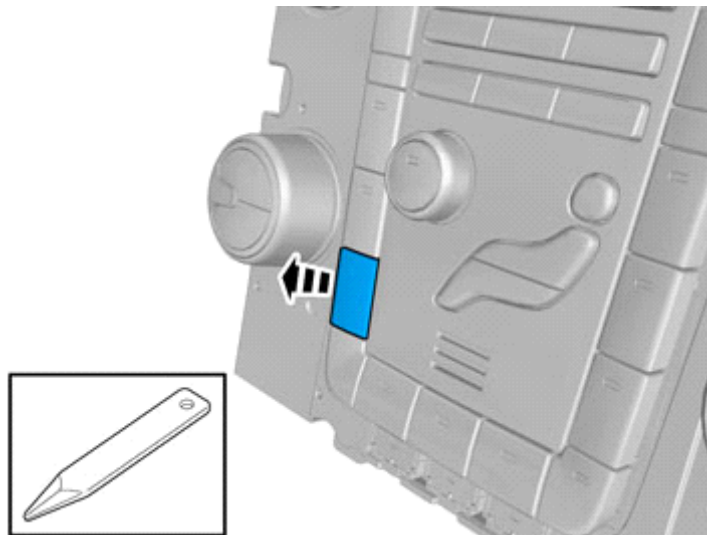
20



IMG-340607

Remove the marked part.

21



IMG-380815

Remove the marked part.

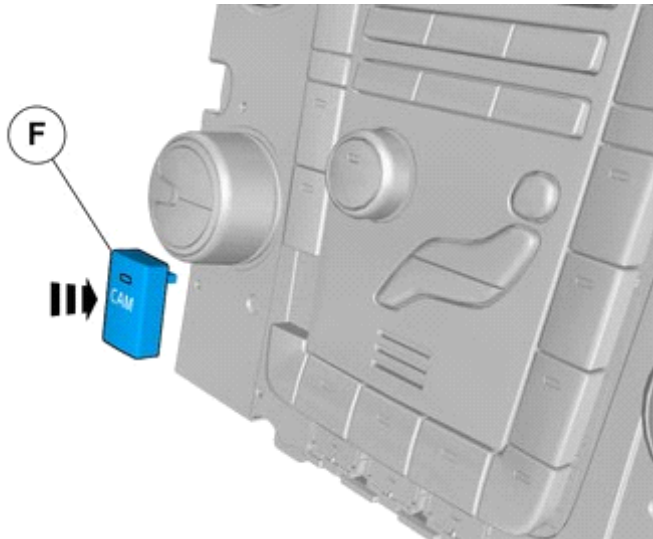


Installation instructions, accessories

Volvo Car Corporation Gothenburg, Sweden

Accessory installation

22

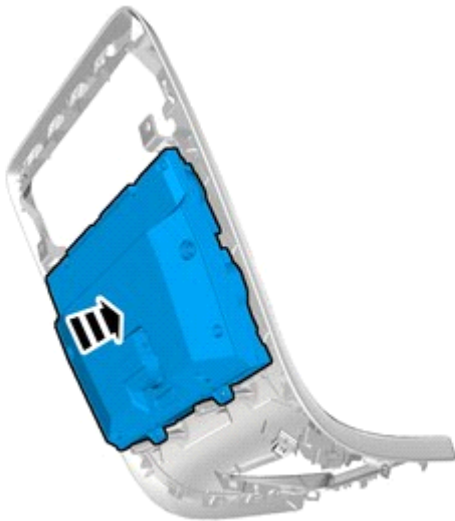


IMG-399720

Installation

23

Reinstall the removed part.



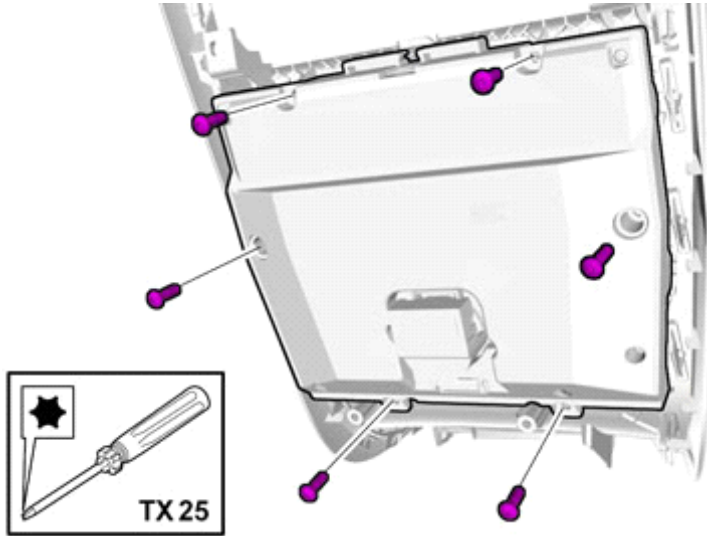
IMG-400531



Installation instructions, accessories

Volvo Car Corporation Gothenburg, Sweden

24



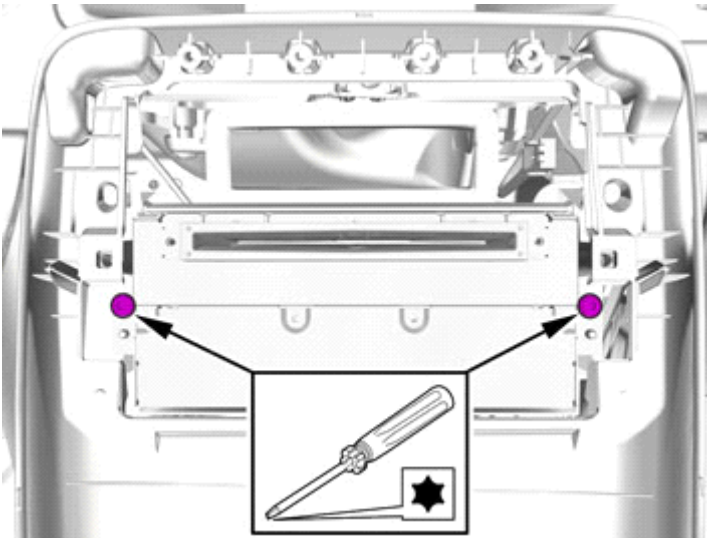
IMG-340605

Reinstall the screws.

Removal

Vehicles with Sensus Connect

25



IMG-340988

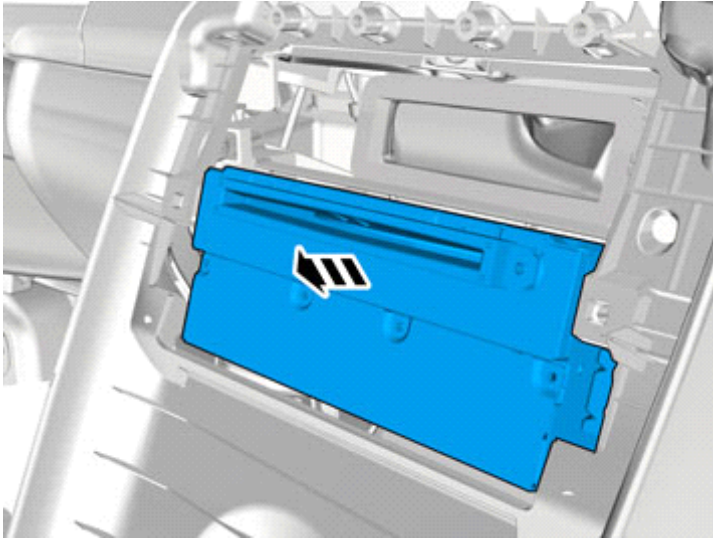
Remove the screws.



Installation instructions, accessories

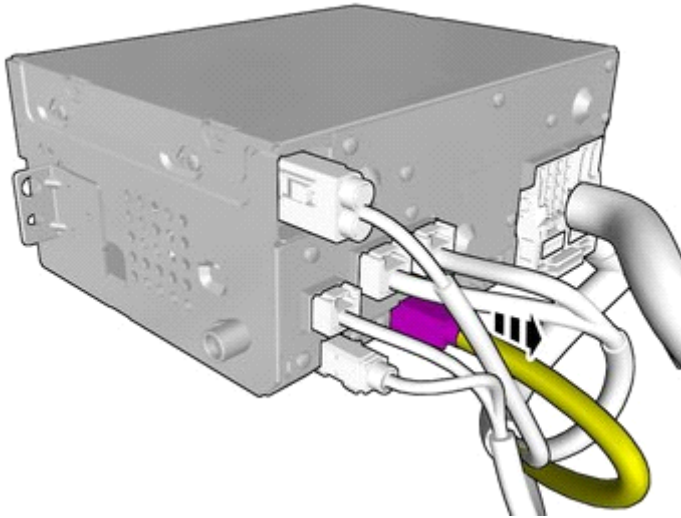
Volvo Car Corporation Gothenburg, Sweden

26



IMG-340989

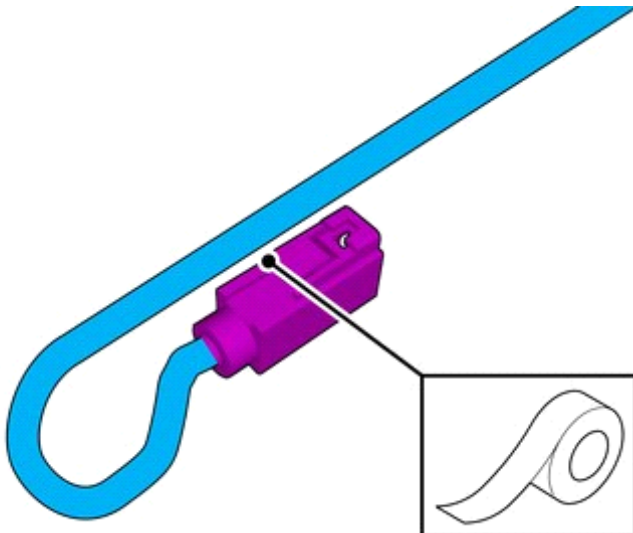
27



IMG-399566

Disconnect the connector, if applicable.

28



IMG-399598

The connector is not to be used.

Attach the connector to the wiring harness.

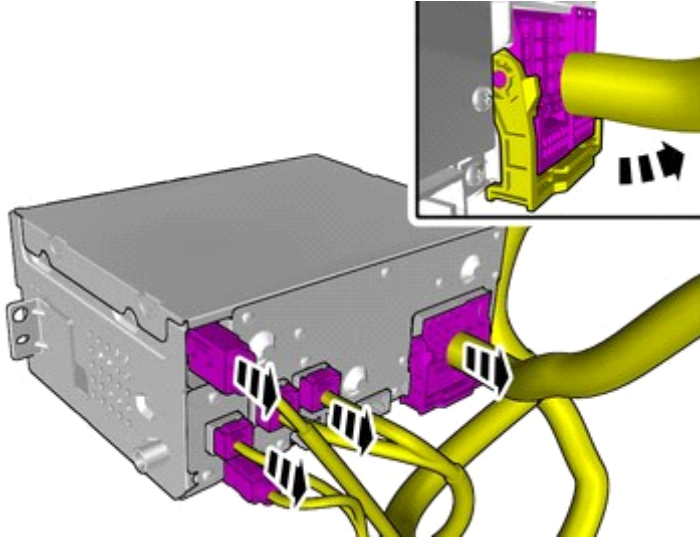
Use: , Electrical tape



Installation instructions, accessories

Volvo Car Corporation Gothenburg, Sweden

29



IMG-380933

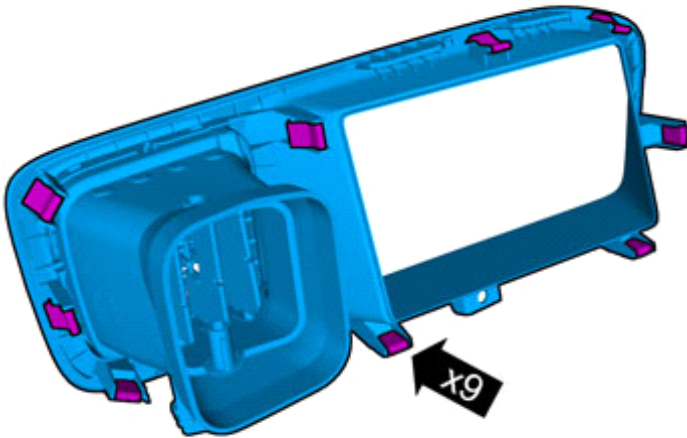
Note!

The number of connectors may vary depending on the vehicle's equipment level.

Disconnect the connectors.

Vehicles without Sensus Connect

30



IMG-360002

Note!

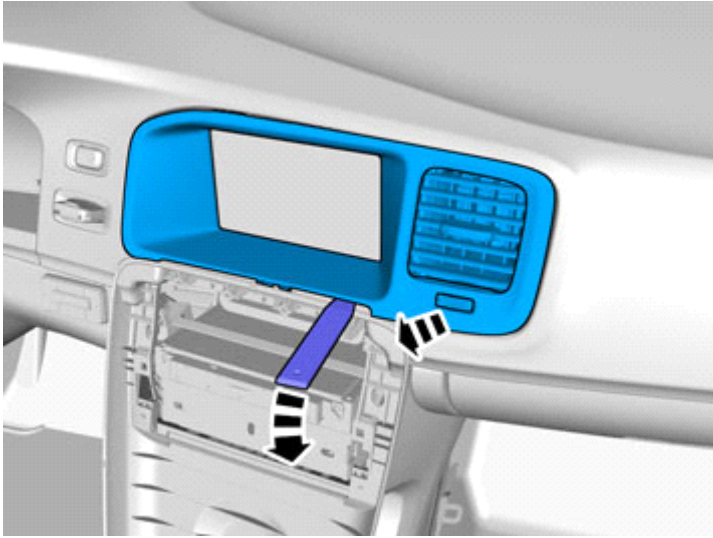
The graphic shows the back of the component before removal.



Installation instructions, accessories

Volvo Car Corporation Gothenburg, Sweden

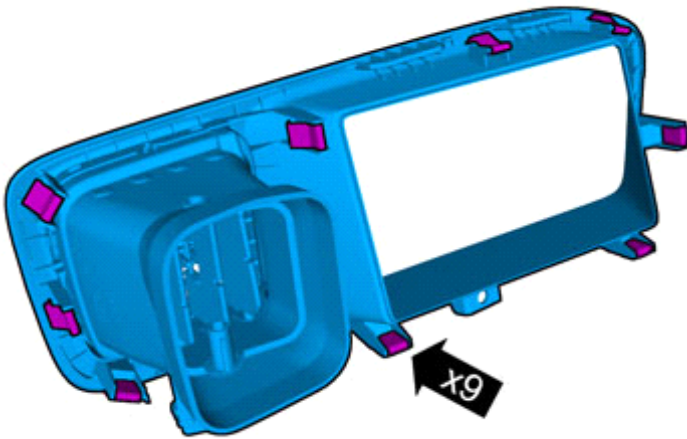
31



IMG-345114

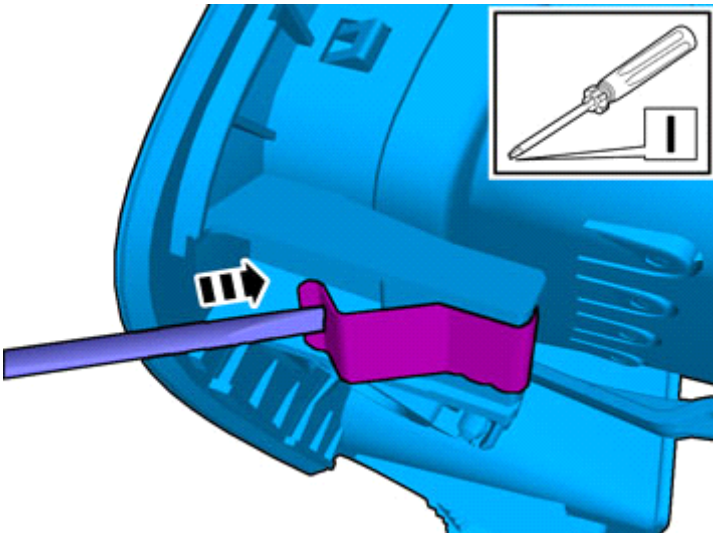
Carefully pry loose the bottom edge of the panel and then continue around the panel.

32



IMG-360002

33



IMG-360001



Installation instructions, accessories

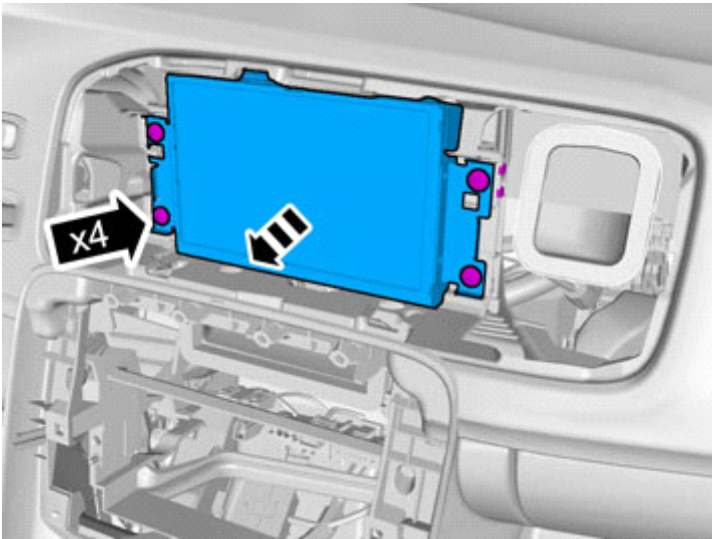
Volvo Car Corporation Gothenburg, Sweden

34



IMG-345115

35

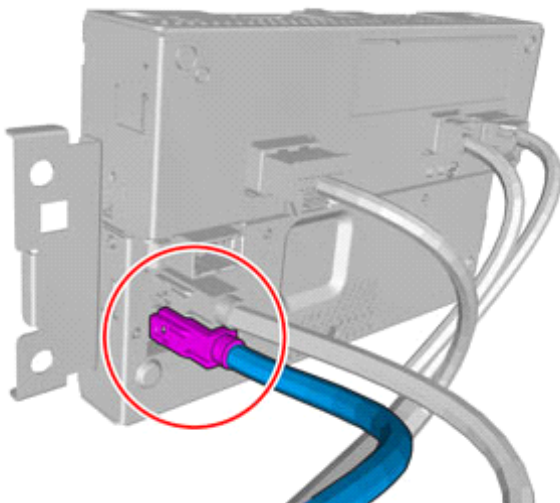


IMG-340008

Remove the screws.

Remove the marked part.

36



Disconnect the connector, if applicable.

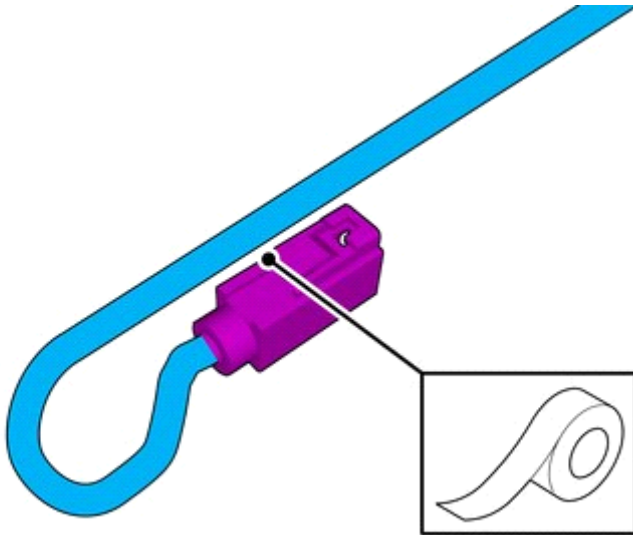
IMG-352166



Installation instructions, accessories

Volvo Car Corporation Gothenburg, Sweden

37



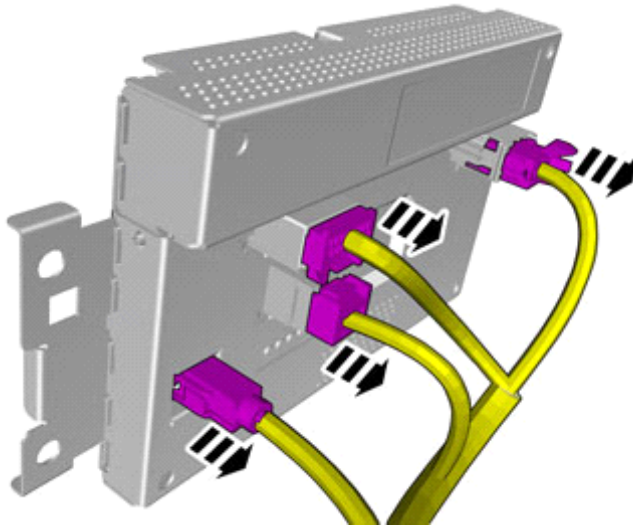
IMG-399598

The connector is not to be used.

Attach the connector to the wiring harness.

Use: , Electrical tape

38



IMG-346175

Note!

The number of connectors may vary depending on the vehicle's equipment level.

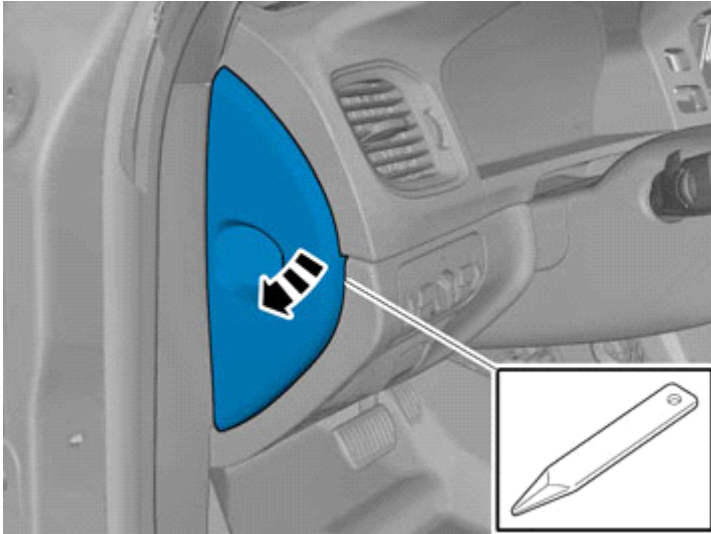
Disconnect the connectors.



Installation instructions, accessories

Volvo Car Corporation Gothenburg, Sweden

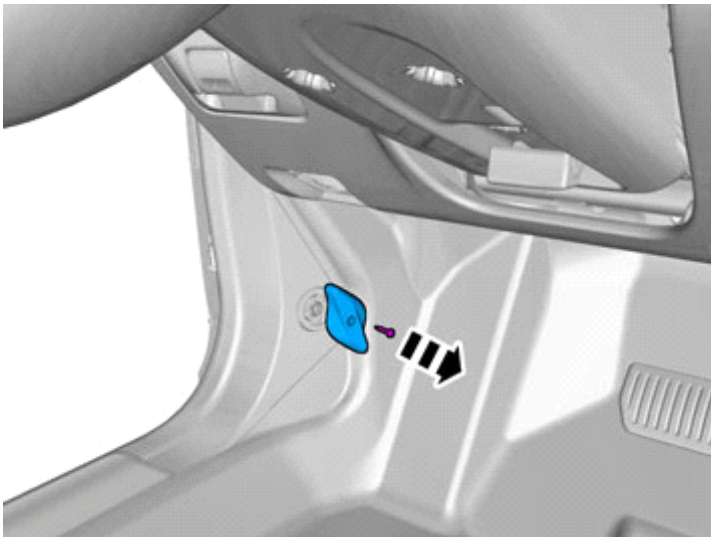
39



IMG-339918

Remove the panel.

40

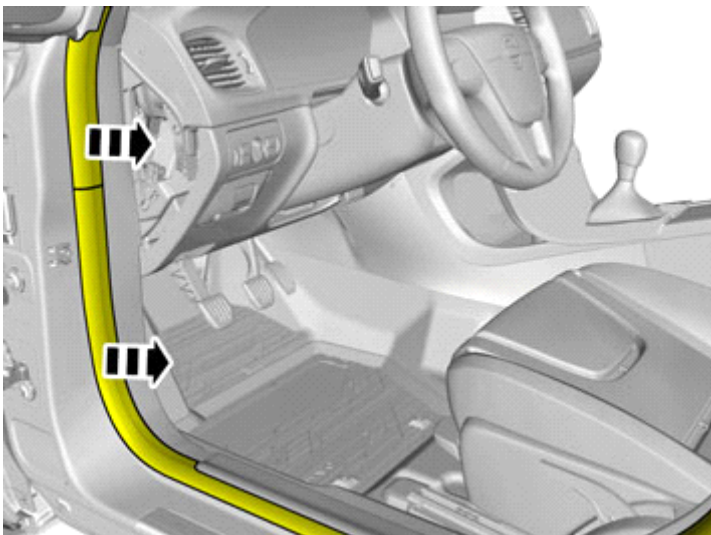


IMG-340032

Remove the screw.

Remove the marked part.

41



IMG-340033

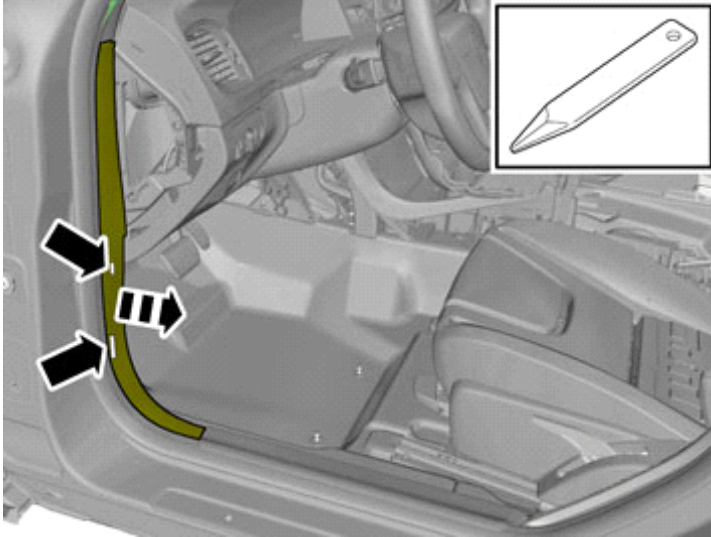
Remove the weatherstrip.



Installation instructions, accessories

Volvo Car Corporation Gothenburg, Sweden

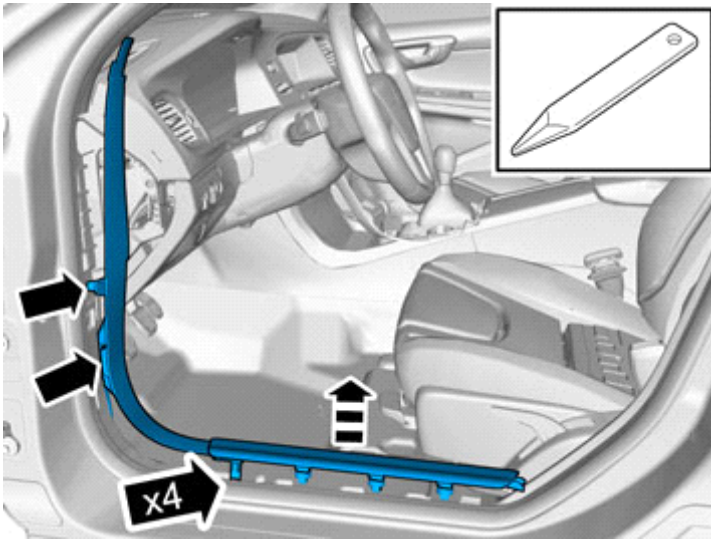
42



IMG-340034

Detach the panel.

43

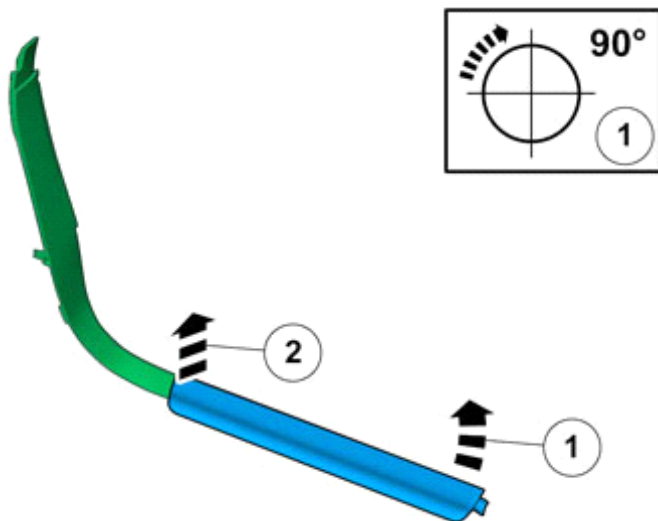


IMG-340036

Caution!

The front and upper sill panel must be removed and installed as one unit.

44



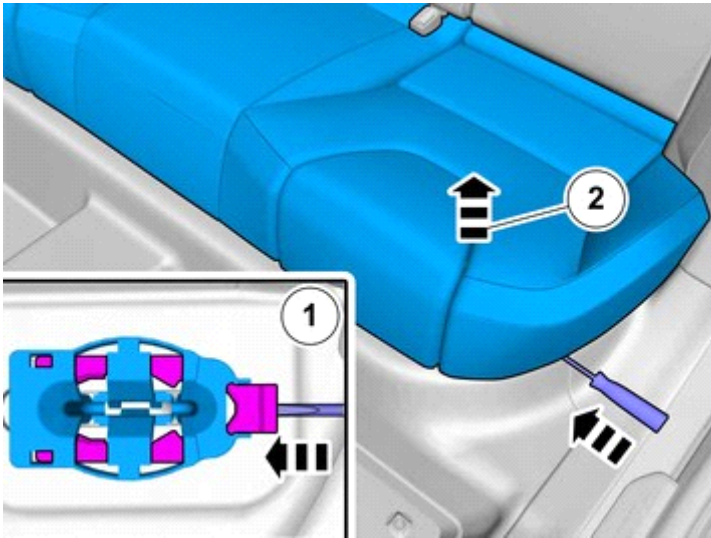
IMG-346682



Installation instructions, accessories

Volvo Car Corporation Gothenburg, Sweden

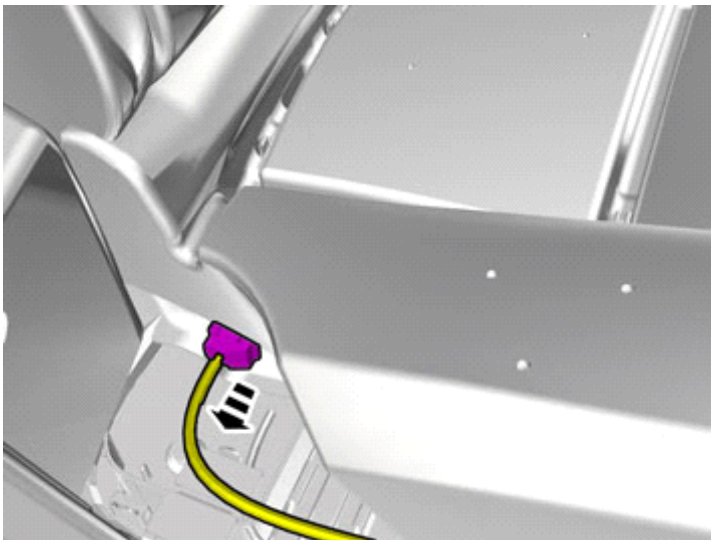
45



IMG-399651

Repeat on the other side.

46



IMG-341902

Disconnect the connector, if applicable.

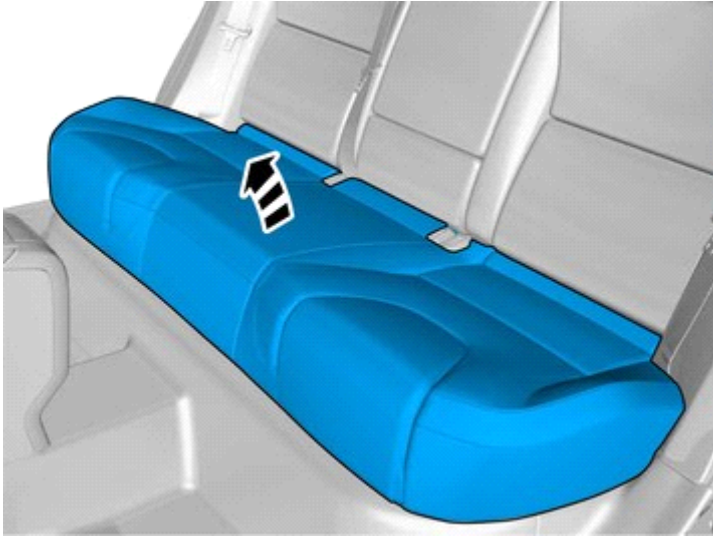
Repeat on the other side.



Installation instructions, accessories

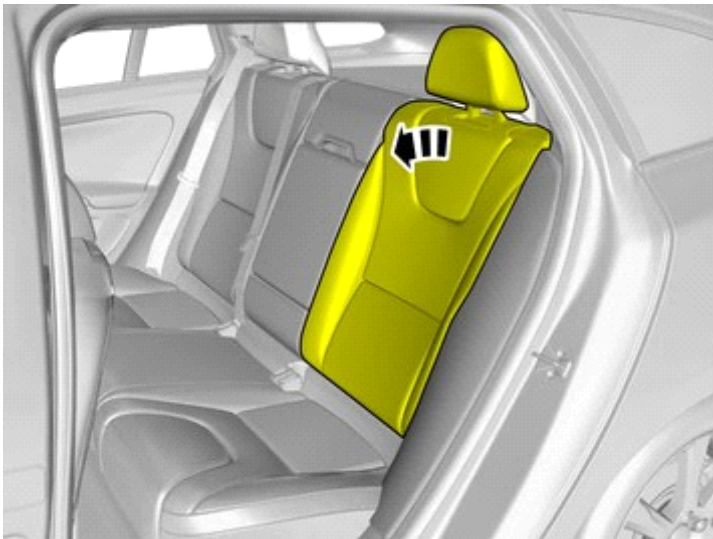
Volvo Car Corporation Gothenburg, Sweden

47



IMG-399653

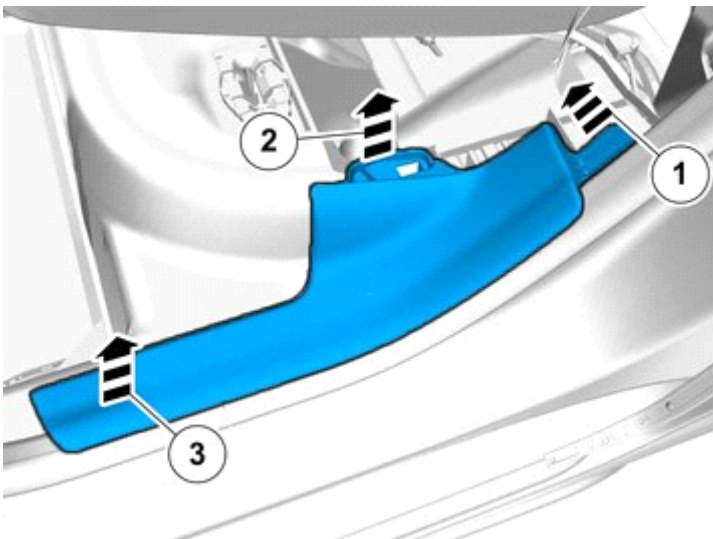
48



IMG-391515

Repeat on the other side.

49



IMG-400970

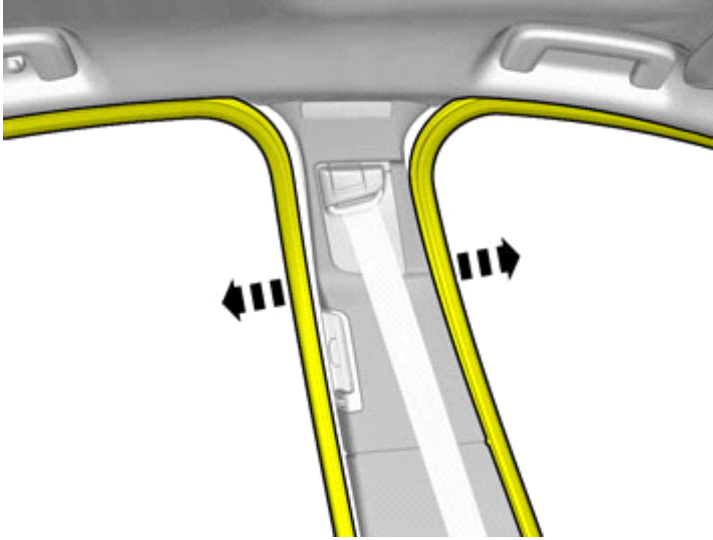
Remove the panel.



Installation instructions, accessories

Volvo Car Corporation Gothenburg, Sweden

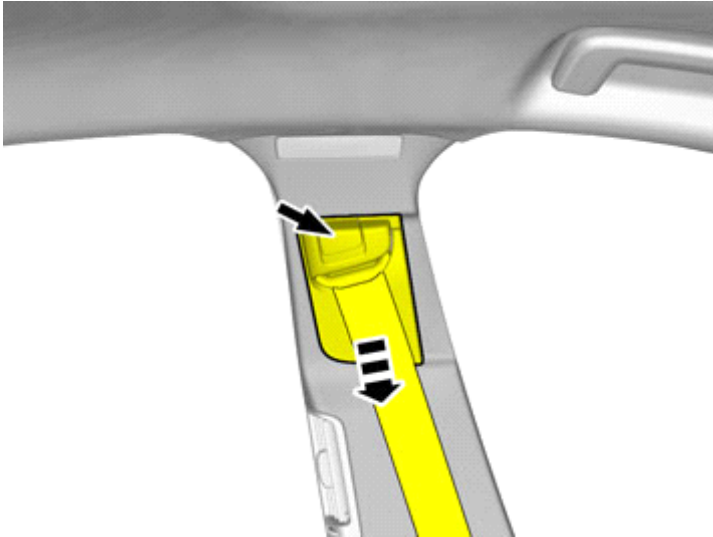
50



Remove the weatherstrips.

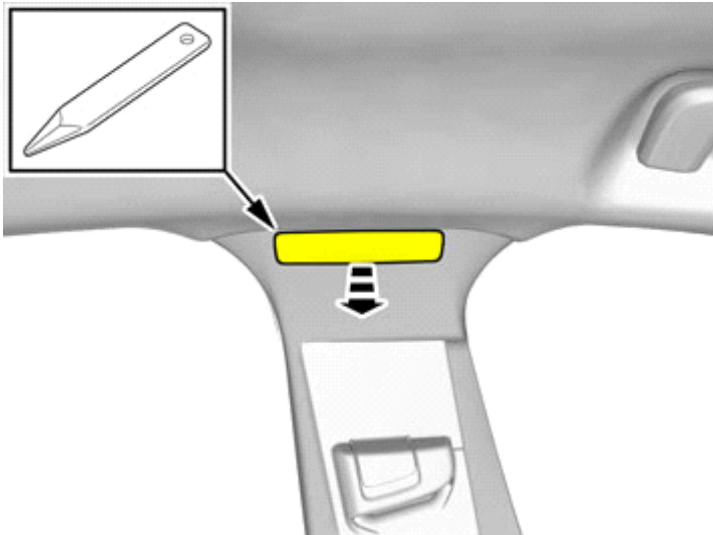
IMG-376371

51



IMG-376375

52



Remove the panel.

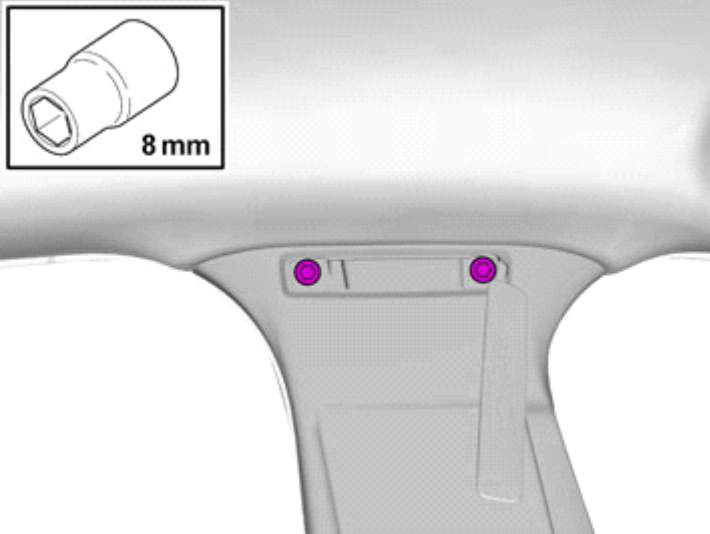
IMG-376377



Installation instructions, accessories

Volvo Car Corporation Gothenburg, Sweden

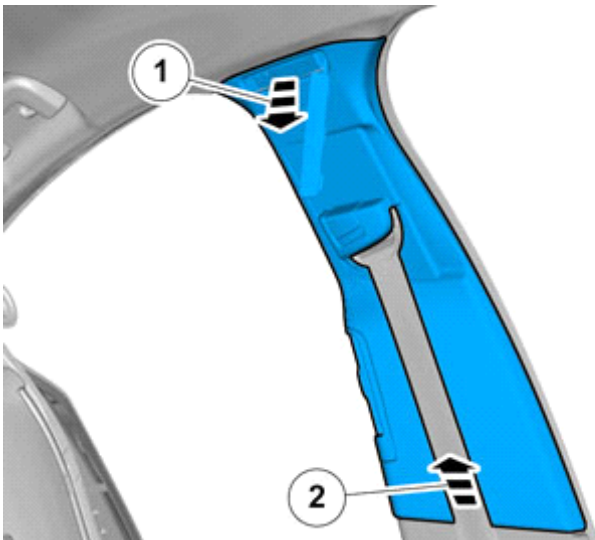
53



Remove the screws.

IMG-376380

54



Remove the panel.

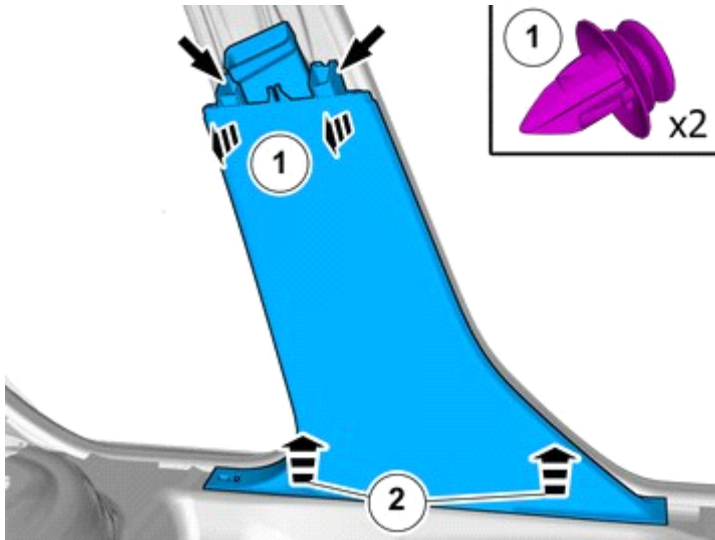
IMG-376382



Installation instructions, accessories

Volvo Car Corporation Gothenburg, Sweden

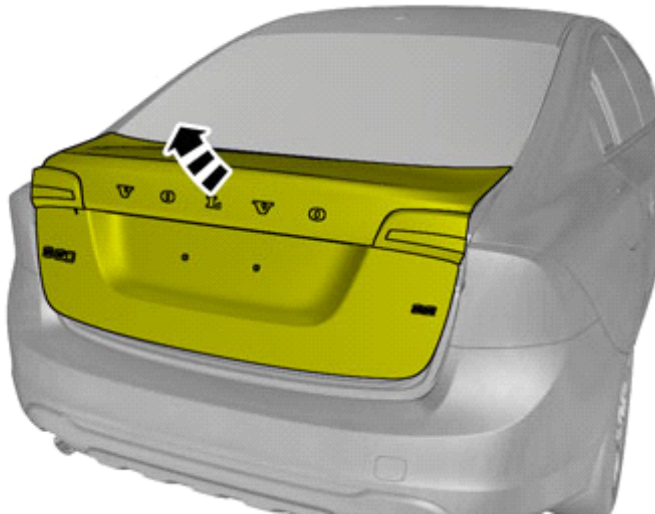
55



Remove the panel.

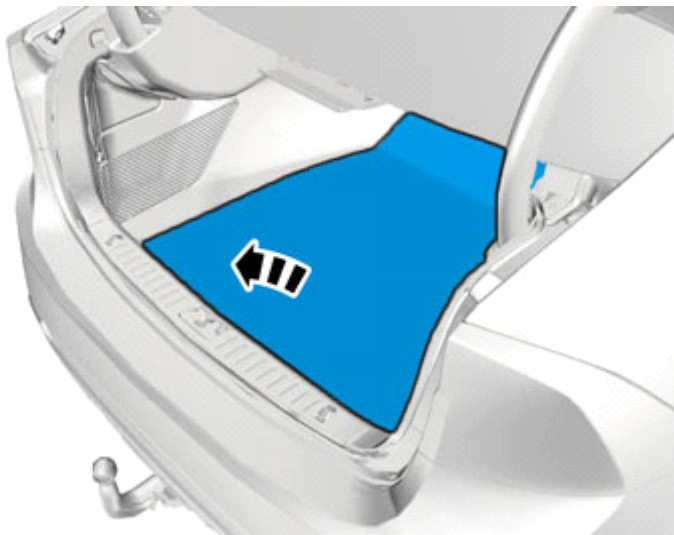
IMG-400535

56



IMG-340010

57



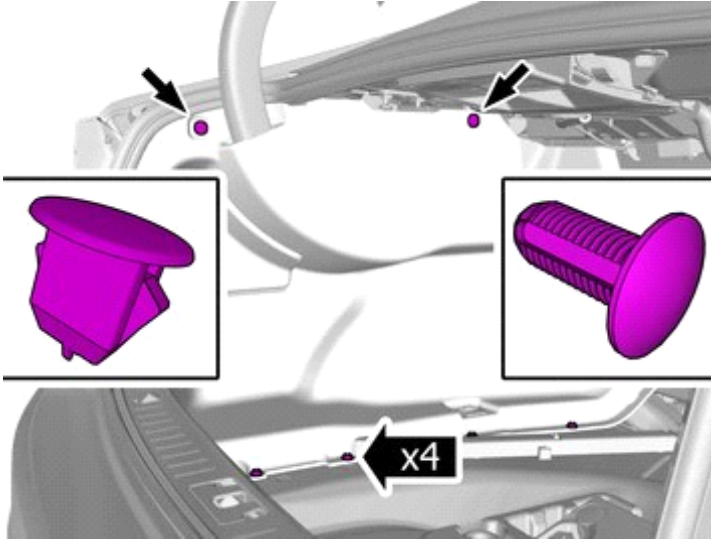
IMG-341907



Installation instructions, accessories

Volvo Car Corporation Gothenburg, Sweden

58



IMG-401162

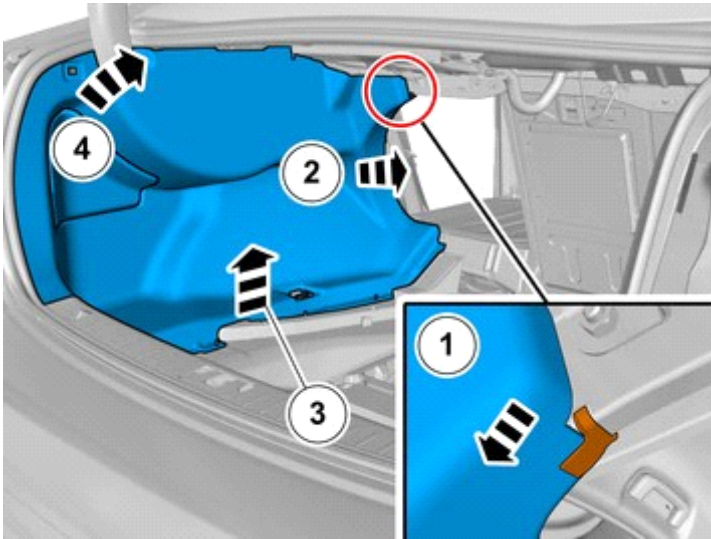
Remove the clips.

Remove the nuts.

Repeat on the other side.

Check that the fasteners are undamaged before installation. If not, they must be replaced with new ones.

59



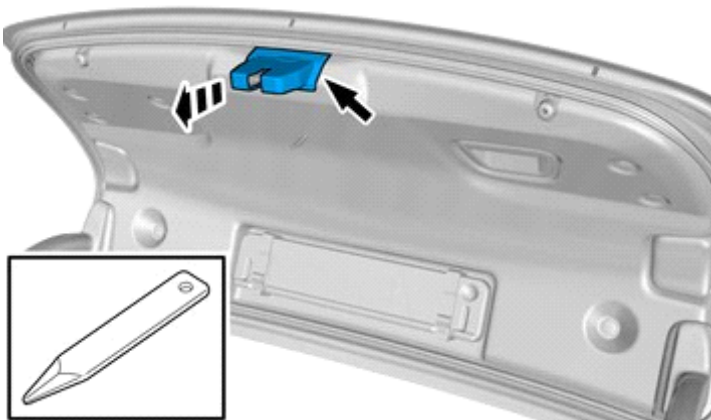
IMG-401141

Remove the panel.

Disconnect the connector, if applicable.

Repeat on the other side.

60



IMG-401055

Remove the marked part.

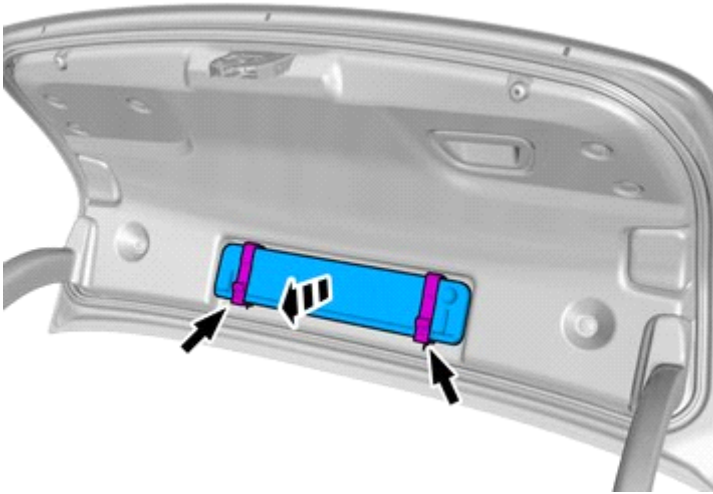


Installation instructions, accessories

Volvo Car Corporation Gothenburg, Sweden

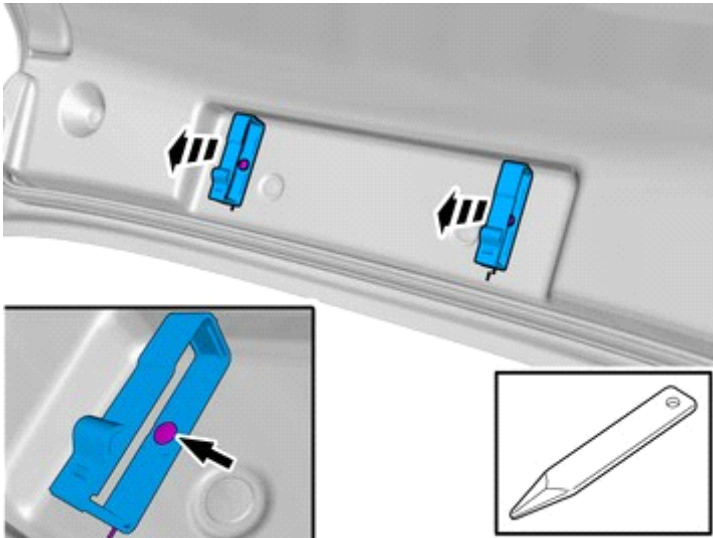
61

Remove the marked part.



IMG-401056

62



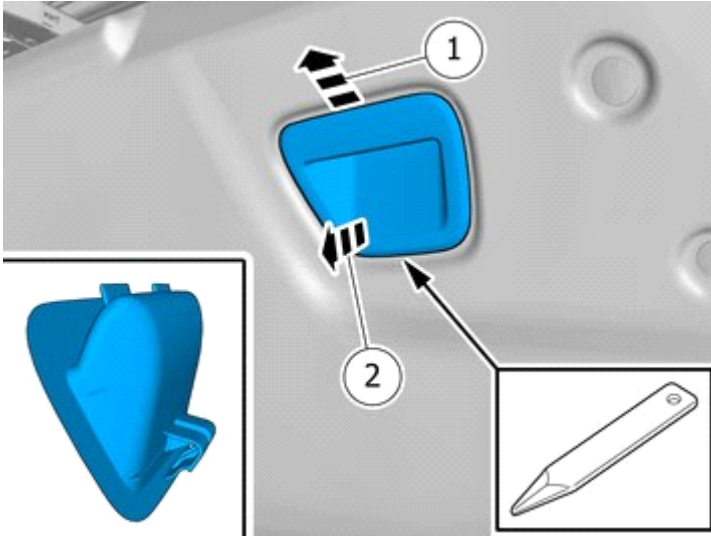
IMG-401057



Installation instructions, accessories

Volvo Car Corporation Gothenburg, Sweden

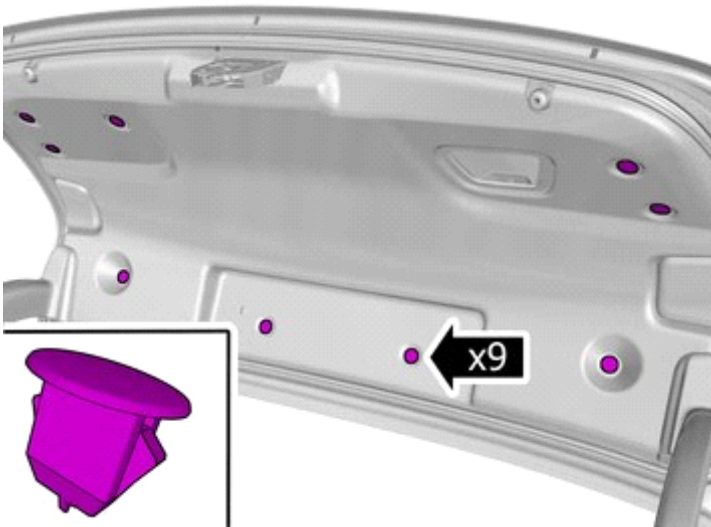
63



IMG-401058

Remove the marked part.

64

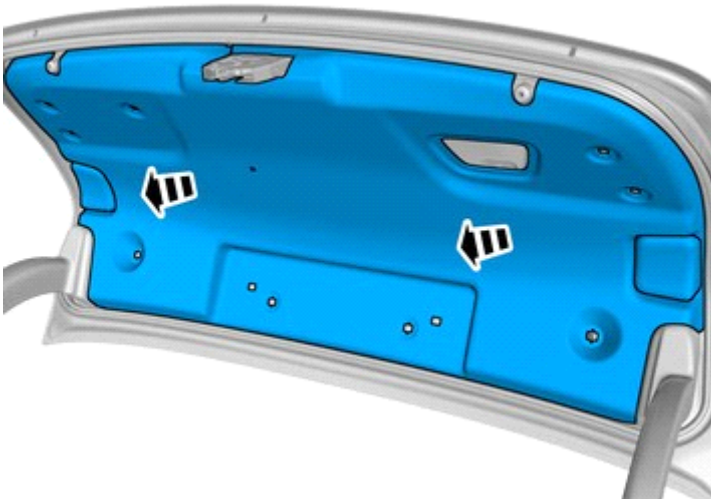


IMG-401073

Remove the clips.

Check that the fasteners are undamaged before installation. If not, they must be replaced with new ones.

65



IMG-401074

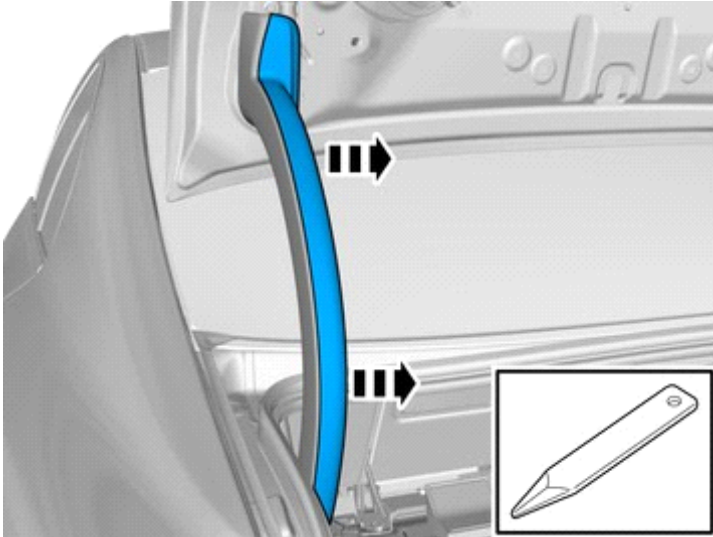
Remove the panel.



Installation instructions, accessories

Volvo Car Corporation Gothenburg, Sweden

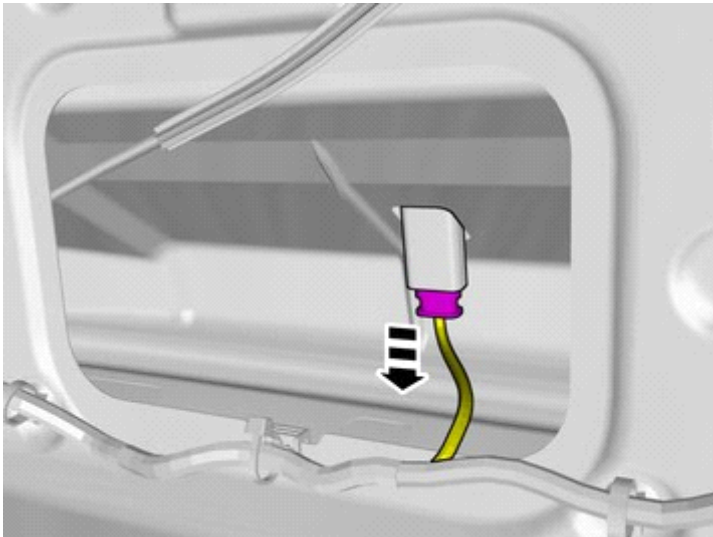
66



IMG-401105

Remove the marked part.

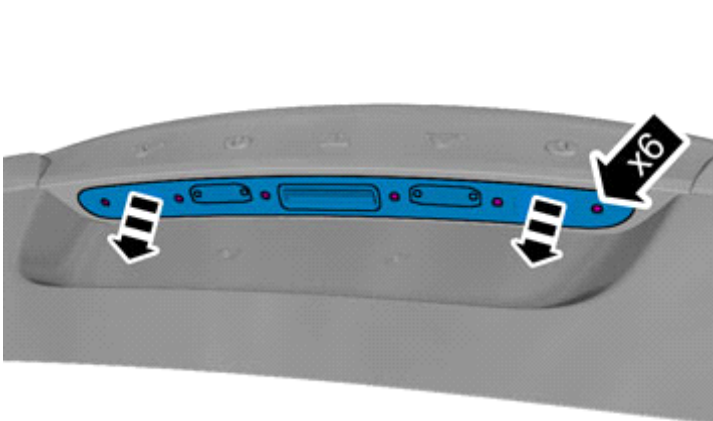
67



IMG-401075

Disconnect the connector.

68



Remove the screws.

Remove the marked part.

The part is not to be reused.

IMG-340021

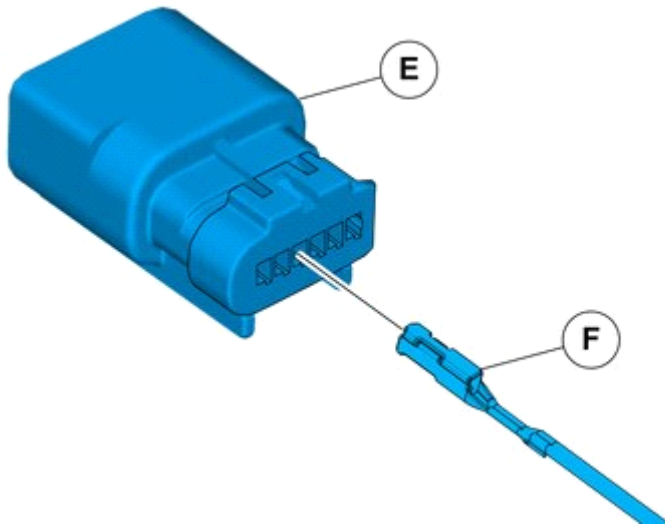


Installation instructions, accessories

Volvo Car Corporation Gothenburg, Sweden

Accessory installation

69



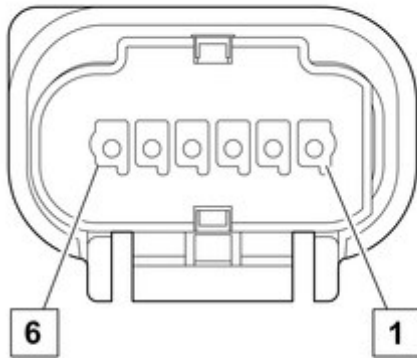
IMG-401046

70

Connect the cable harness terminals in the connector as follows.

Pos.

- 1 YE-BU
- 2 GY-VT
- 3 VT-GN
- 4 WH
- 5 BK-WH
- 6 BK-GN



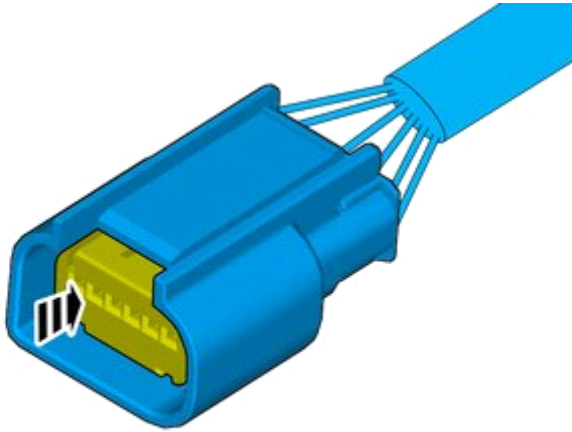
IMG-399835



Installation instructions, accessories

Volvo Car Corporation Gothenburg, Sweden

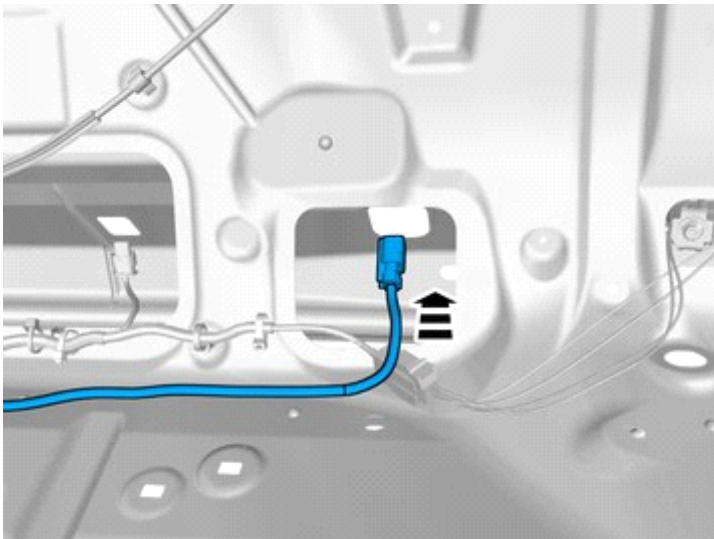
71



Depress the secondary lock.

IMG-401095

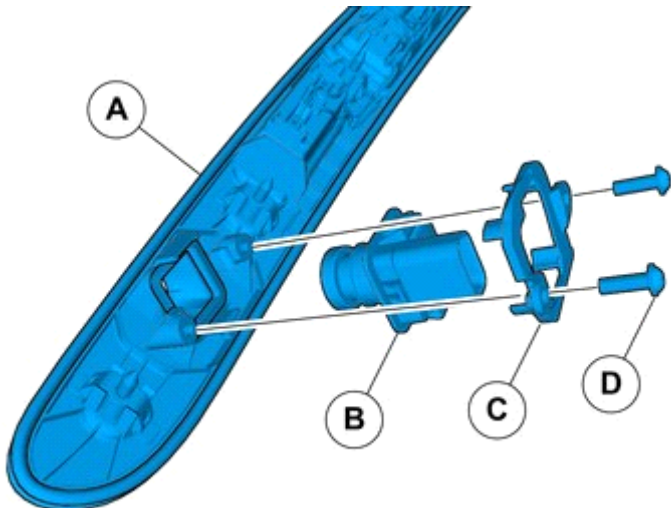
72



Pull the wiring through.

IMG-401083

73



IMG-401081



Installation instructions, accessories

Volvo Car Corporation Gothenburg, Sweden

74



IMG-340041

Connect the prerouted cable.

75

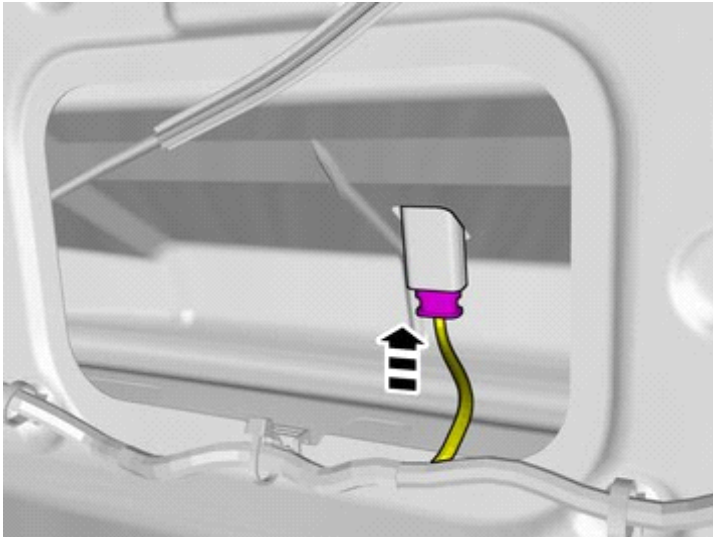


IMG-340057

Reinstall the screws.

Tightening torque: Exterior handle to tailgate/luggage compartment lid , 3 Nm

76



IMG-401085

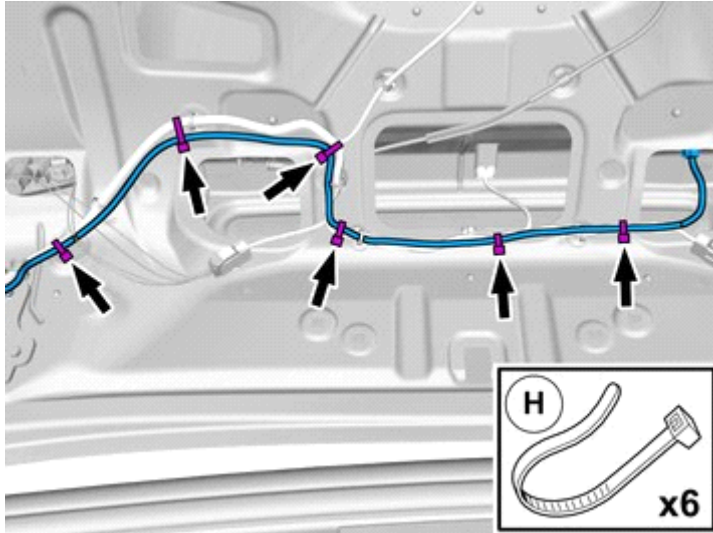
Connect the connector.



Installation instructions, accessories

Volvo Car Corporation Gothenburg, Sweden

77



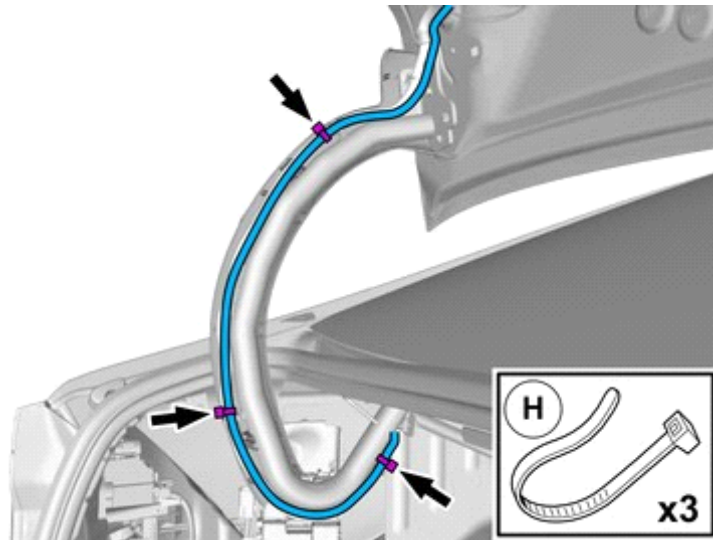
IMG-401107

Route the wire adjacent to existing wirings.

Install the cable.

Use a cable tie

78



IMG-401111

Route the wire adjacent to existing wirings.

Install the cable.

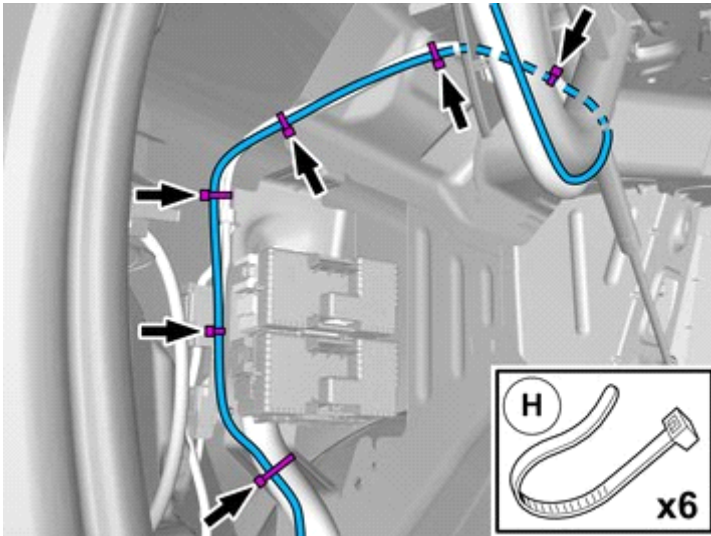
Use a cable tie



Installation instructions, accessories

Volvo Car Corporation Gothenburg, Sweden

79



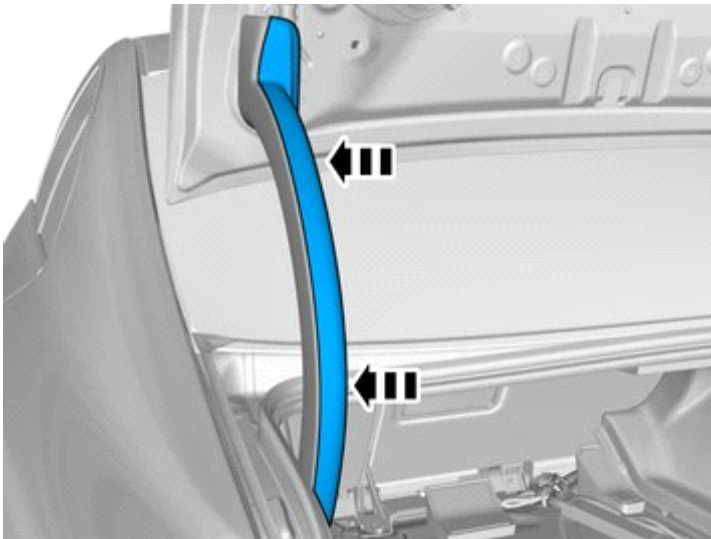
IMG-401112

Route the wire adjacent to existing wirings.

Install the cable.

Use a cable tie

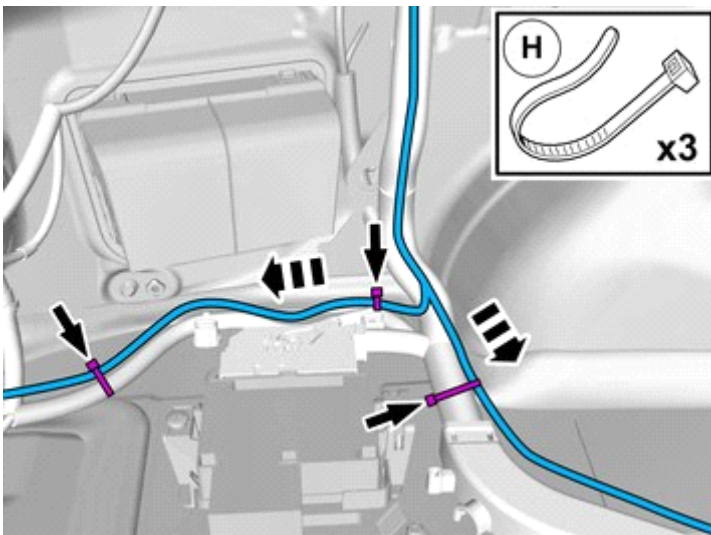
80



IMG-401106

Reinstall the removed part.

81



IMG-401116

Route the wire adjacent to existing wirings.

Install the cable.

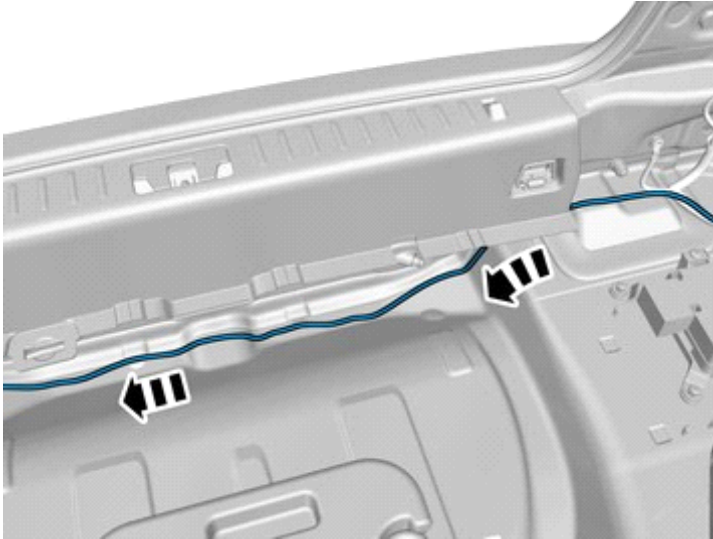
Use a cable tie



Installation instructions, accessories

Volvo Car Corporation Gothenburg, Sweden

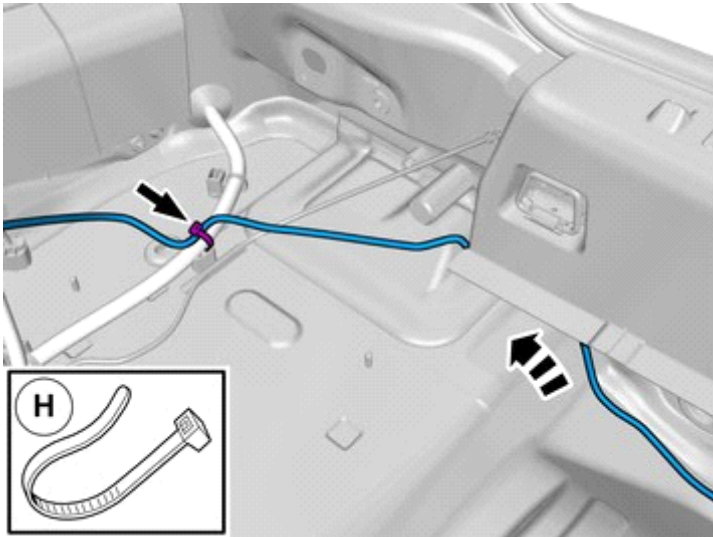
82



IMG-401118

Position/route the cable as illustrated.

83



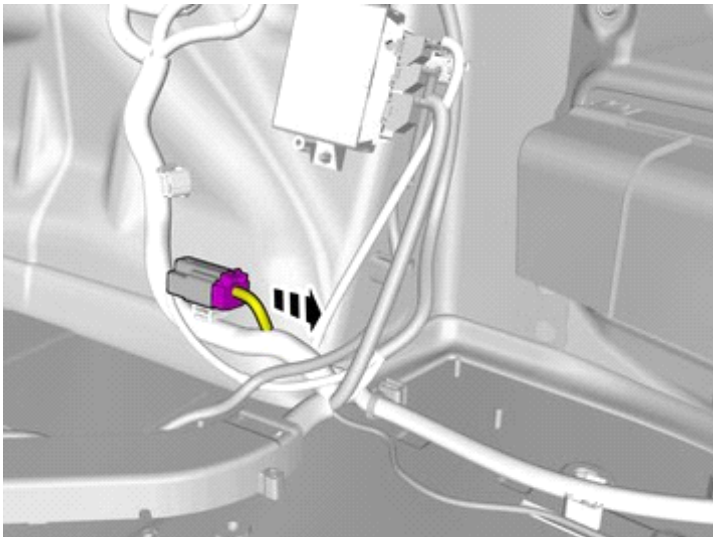
IMG-401120

Position/route the cable as illustrated.

Install the cable.

Use a cable tie

84



IMG-401121

Locate the existing connector in the vehicle's cable harness.

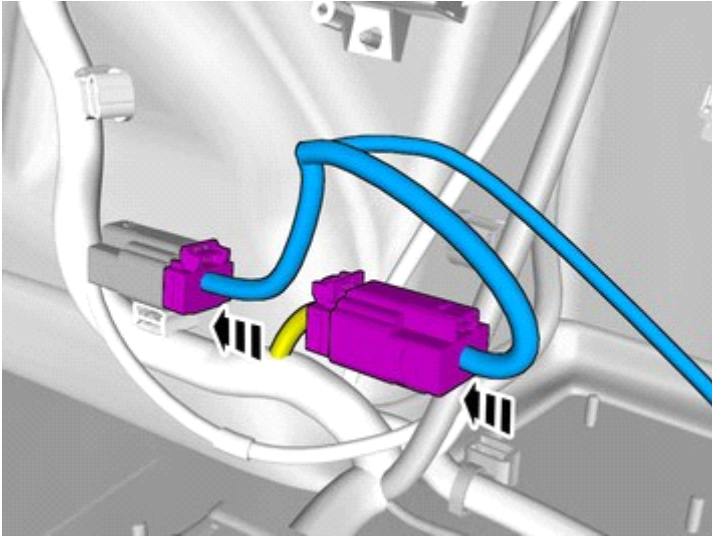
Disconnect the connector.



Installation instructions, accessories

Volvo Car Corporation Gothenburg, Sweden

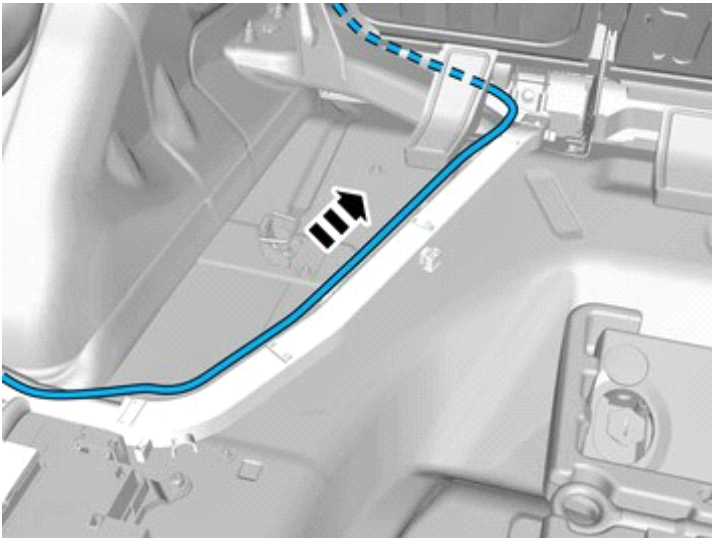
85



IMG-401125

Connect the prerouted cable.

86



IMG-401127

Position/route the cable as illustrated.

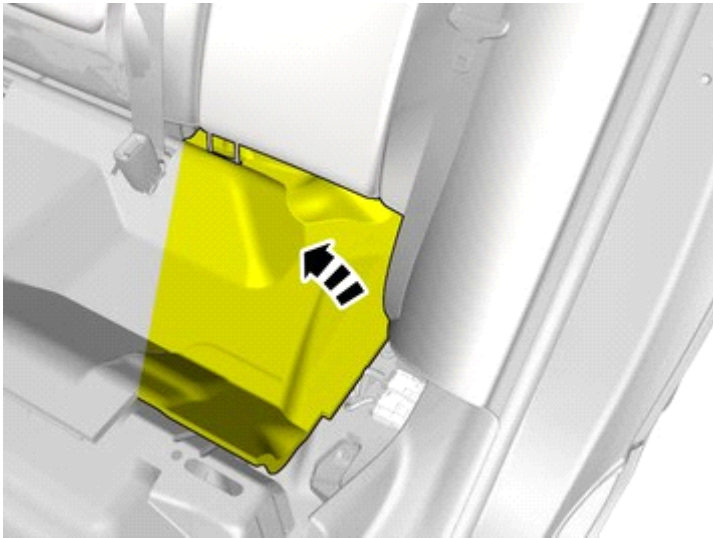
Pull the wiring through.



Installation instructions, accessories

Volvo Car Corporation Gothenburg, Sweden

87

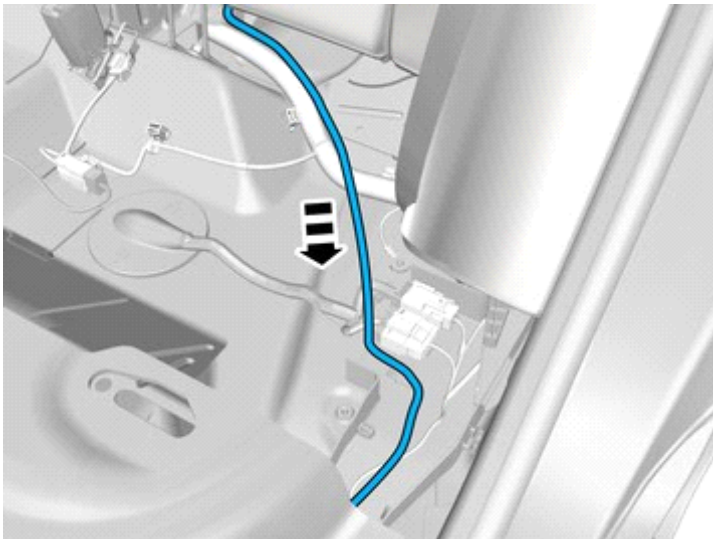


IMG-401128

Fold the insulation to one side.

Pull the wiring through.

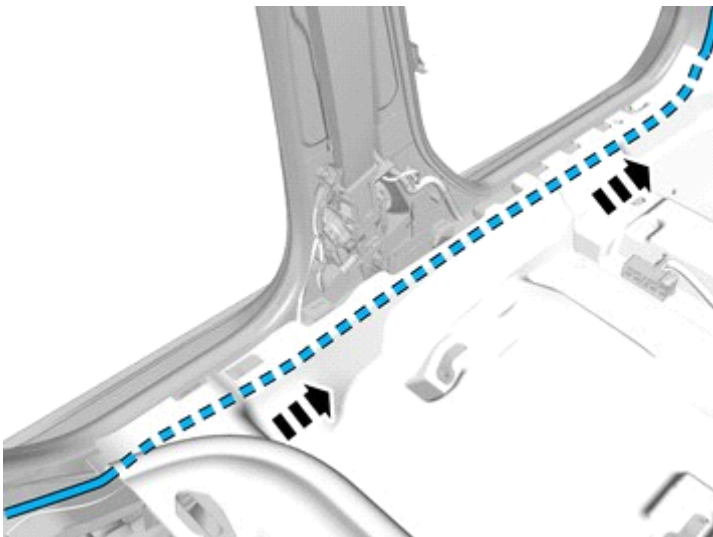
88



IMG-401131

Position/route the cable as illustrated.

89



IMG-400870

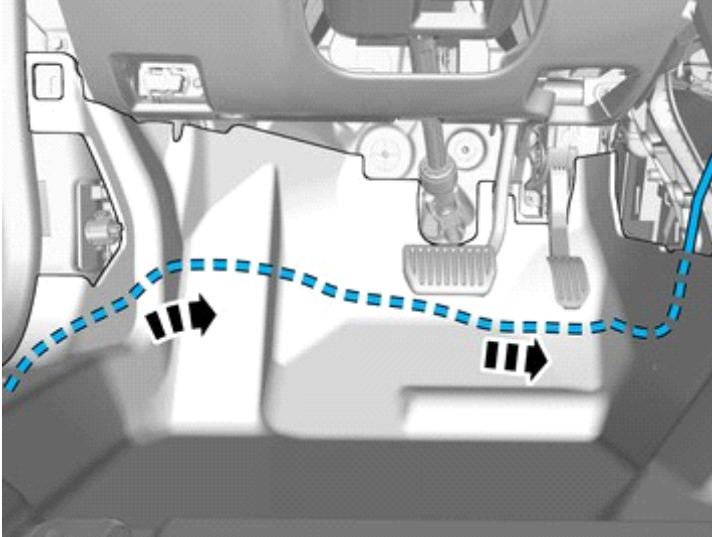
Position/route the cable as illustrated.



Installation instructions, accessories

Volvo Car Corporation Gothenburg, Sweden

90

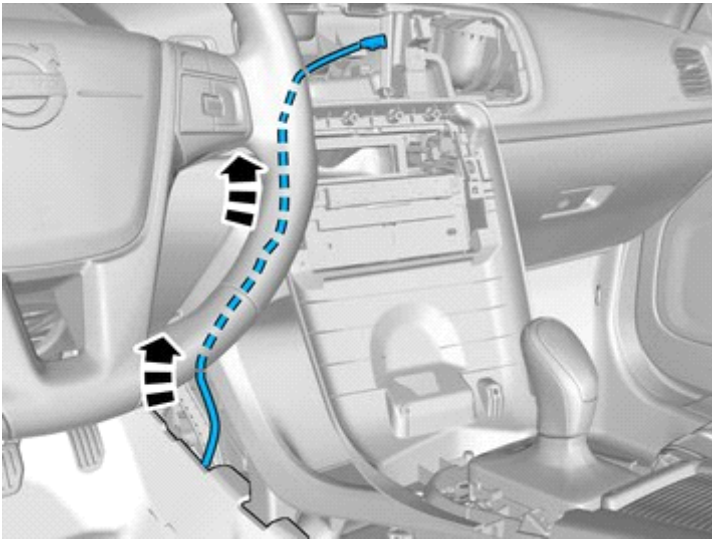


IMG-400890

Position/route the cable as illustrated.

Vehicles without Sensus Connect

91



IMG-400895

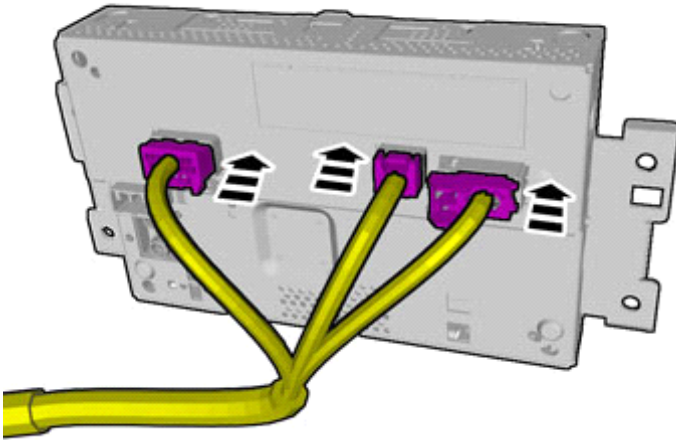
Position/route the cable harness as illustrated.



Installation instructions, accessories

Volvo Car Corporation Gothenburg, Sweden

92



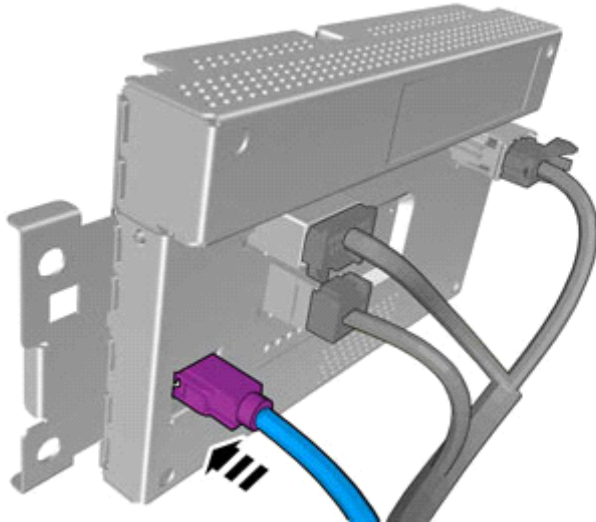
IMG-348748

Note!

The number of connectors, cables and cable ties can vary depending on the vehicle's equipment level.

Connect the connectors.

93



IMG-352266

Connect the prerouted cable.

94



IMG-400898

Reinstall the removed part.

Reinstall the screws.



Vehicles with Sensus Connect

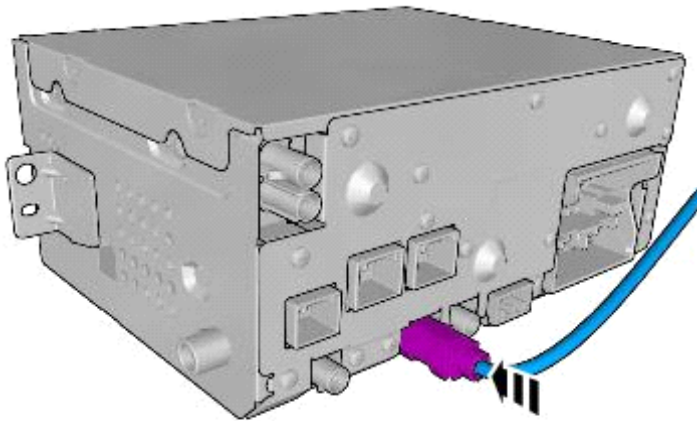
95



IMG-400896

Position/route the cable as illustrated.

96



IMG-384899

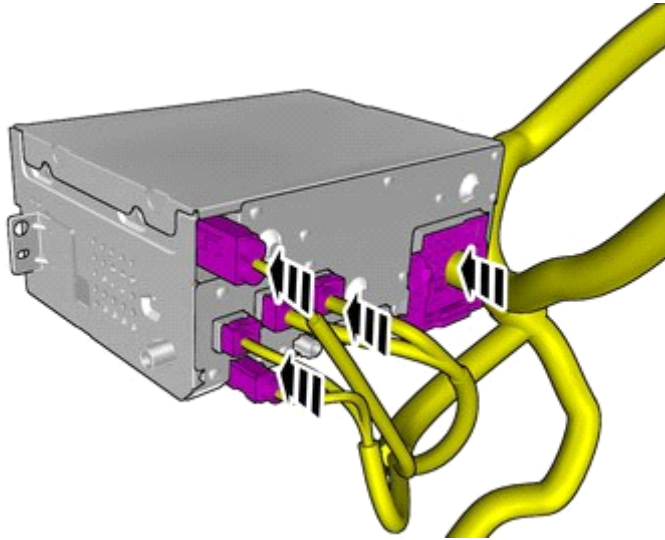
Connect the prerouted cable.



Installation instructions, accessories

Volvo Car Corporation Gothenburg, Sweden

97



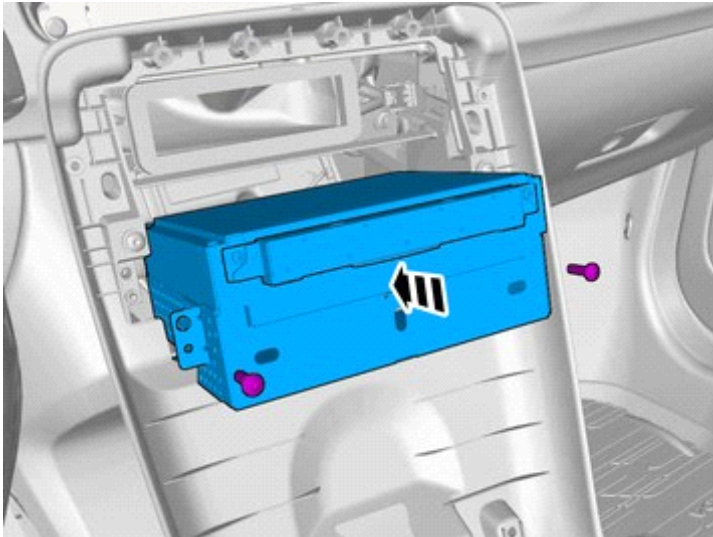
IMG-380943

Note!

The number of connectors, cables and cable ties can vary depending on the vehicle's equipment level.

Connect the connectors.

98

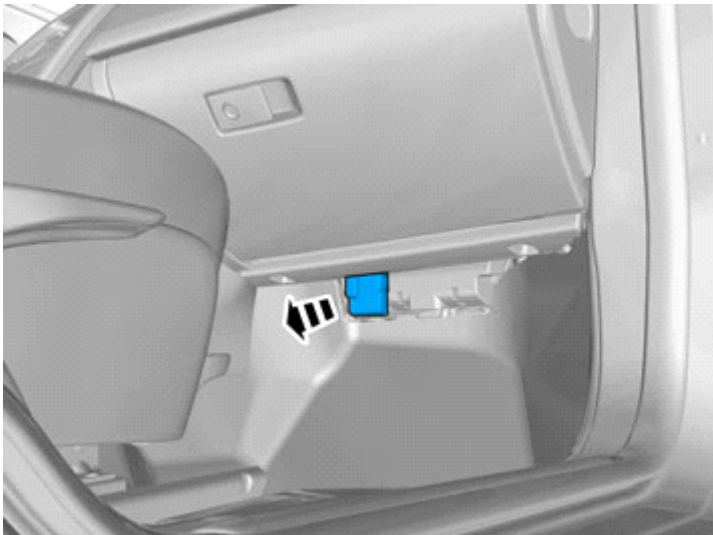


IMG-400897

Reinstall the removed part.

Reinstall the screws.

99



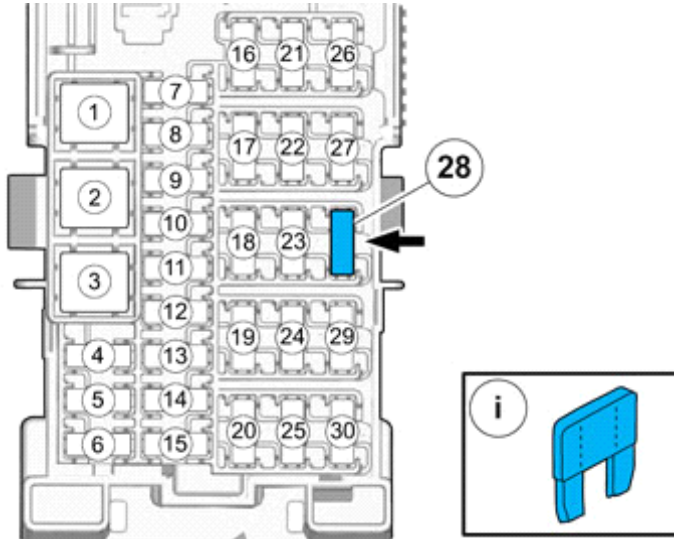
IMG-381919



Installation instructions, accessories

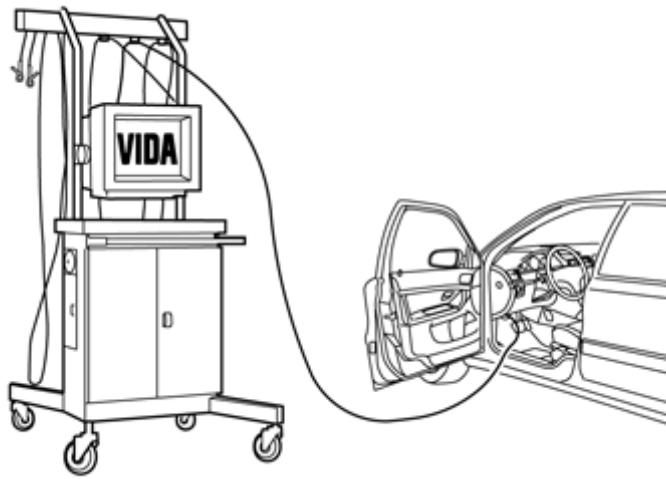
Volvo Car Corporation Gothenburg, Sweden

100



IMG-381922

101



IMG-242268

Download software (application) for the accessory's function according to the service information in VIDA. See VIDA or the accessories catalogue for software part number.

102

Calibrate according to: DIAGNOSTICS/VEHICLE COMMUNICATION/Advanced/PAC/Service calibration, parking camera

VIDA

IMG-400005



Installation instructions, accessories

Volvo Car Corporation Gothenburg, Sweden
